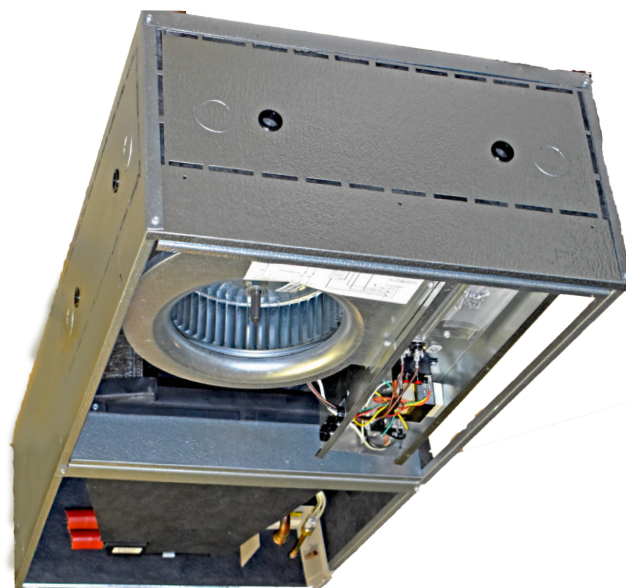




## AB\* SERIES FURRED DOWN/CEILING MOUNTED AIR HANDLER

Mounted “AB” Air Handlers  
Patent Product

- Polymer drain pan
- Standard built-in Internal filter rack in louvered panel Only
- Pre-punched side mounting tabs for easier installations
- Long Life Aluminum or Copper tubing
- Aluminum fins and end plates
- Powder coated, hinged access panels must be ordered separately
- Fully insulated embossed galvanized steel cabinets
- A1L/A2L Compliant

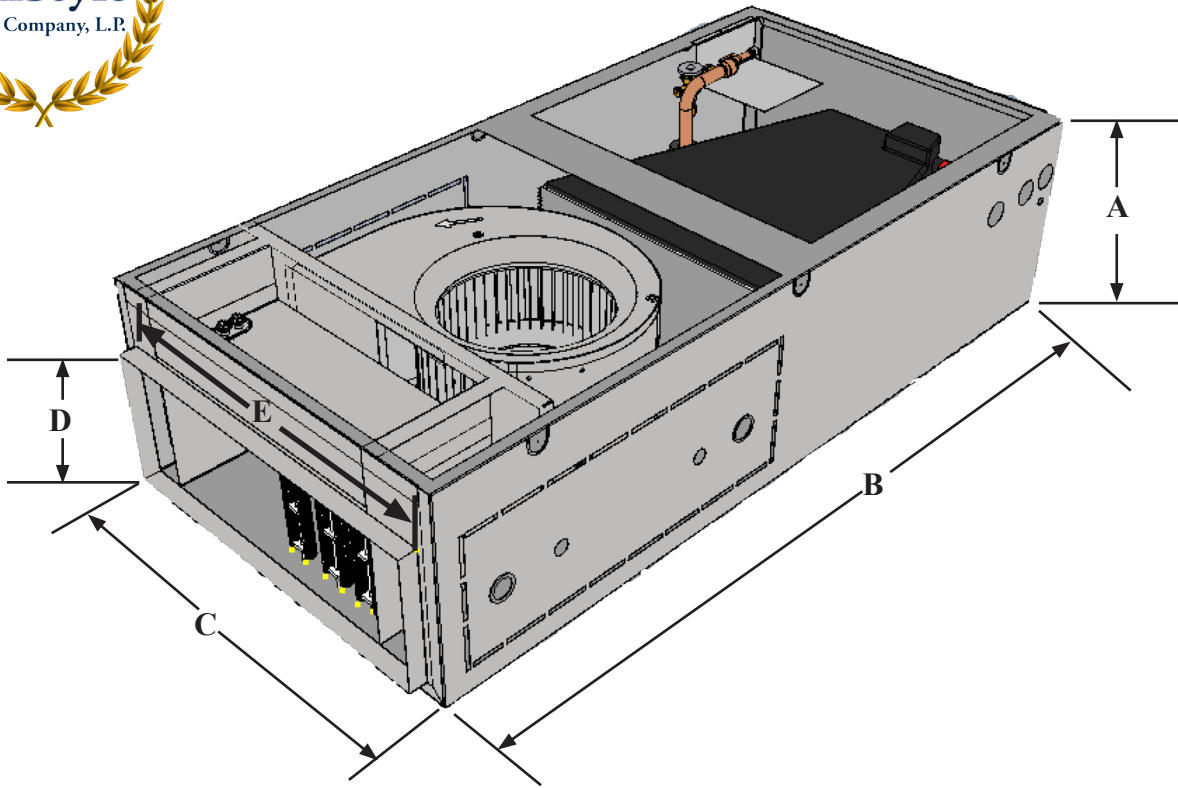


### ***Features:***

- Designed for installation in a furred down or dropped ceiling area with a End Discharge or Triple Discharge Option
- Cooling Only, Cooling and Electric Heating, Heat Pump, or Hydronic Applications
- Optional factory installed electric heat of either 3, 5, 6, 8, or 10kW
- Orifice refrigerant metering is standard with Thermal Expansion Valves optional

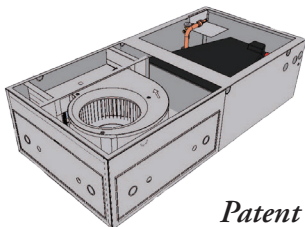


**Warranty will be voided if any chemical cleaning products are used on any AllStyle coils. AllStyle suggests water and a soft, bristled brush.**

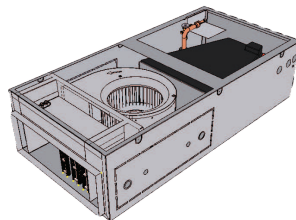


Cabinet Dimensions									
Model	Cabinet Height A	Cabinet Length B	Cabinet Width C	Plenum Height D	Plenum Width E	Optional Return Opening	Access Grille Width	Access Grille Length	Filter Size
ABF*	12.625"	48.00"	22.50"	7.25"	21.25"	21.25" x 7.25"	27.25"	51.25"	20" x 20"
ABK*	12.625"	51.00"	22.50"	7.25"	21.25"	21.25" x 7.25"	27.25"	55.25"	20" x 20"
ABSK*	12.625"	57.00"	22.50"	7.25"	21.25"	21.25" x 7.25"	27.25"	61.25"	20" x 25"
ABTK*	20.625"	51.00"	22.50"	12.25"	21.25"	21.25" x 12.25"	27.25"	55.25"	20" x 20"

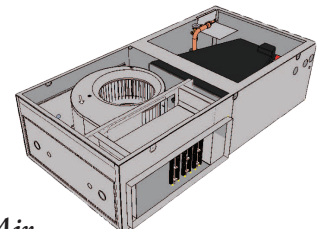
- Specifications may change without notice
- \*Ceiling mounted air handlers may be manufactured for triple or end discharge (Specify when ordering)
- When ordering Hydronic ceiling mounted air handlers, ONLY end discharge is available.



*Patent Ceiling Mounted Air Handler with Left Discharge*



*Patent Ceiling Mounted Air Handler with End Discharge*



*Patent Ceiling Mounted Air Handler with Right Discharge*



## AB\* SERIES ELECTRICAL PERFORMANCE

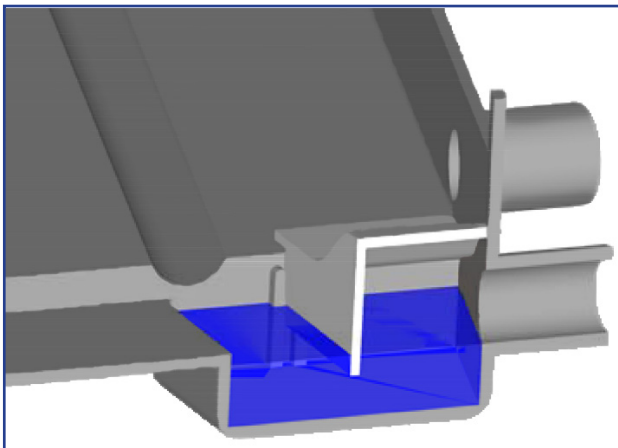
AB* ELECTRICAL PERFORMANCE PSC MOTOR						
Model	Electric Heat kW	Motor AMPS	Total AMPS	MCA	MOP	BTUH
AB* 12	0	1.5	1.5	1.7	15	0
	3	1.5	14.0	16.3	20	10,257
	5	1.5	21.5	24.9	30	16,411
	6	1.5	26.5	30.6	30	20,512
	8	1.5	32.8	37.8	40	27,304
	10	1.5	41.5	47.9	50	32,764
AB* 18 & 24	0	1.5	1.5	1.7	15	0
	3	1.5	14.0	16.3	20	10,257
	5	1.5	21.5	24.9	30	16,411
	6	1.5	26.5	30.6	30	20,512
	8	1.5	32.8	37.8	40	27,304
	10	1.5	41.5	47.9	50	32,764
AB* 30	0	1.5	1.5	1.7	15	0
	3	1.5	14.0	16.3	20	10,257
	5	1.5	21.5	24.9	30	16,411
	6	1.5	26.5	30.6	30	20,512
	8	1.5	32.8	37.8	40	27,304
	10	1.5	41.5	47.9	50	32,764
AB* 36	0	4	4.0	19.4	15	0
	3	4	16.5	28.0	20	10,257
	5	4	24.8	33.8	30	16,411
	6	4	29.0	43.3	35	20,512
	8	4	35.3	40.9	45	27,304
	10	4	45.7	52.5	60	32,764
<b>De-Rate BTUH heating capacity by 25% for 208 VAC</b>						
<b>Specifications may change without notice</b>						



# AB\* SERIES BLOWER PERFORMANCE

AB* BLOWER PERFORMANCE PSC MOTOR				
Model	Speed	Static Pressure		
		0.1	0.2	0.3
AB* 12	Low	535	460	400
	Medium	700	630	540
	High	800	730	620
AB* 18 & 24	Low	740	670	610
	Medium	970	850	760
	High	1020	950	840
AB* 30	Low	1020	950	870
	Medium	1140	1100	1040
	High	1250	1200	1150
AB* 36	Low	1020	950	870
	Medium	1140	1100	1040
	High	1250	1200	1150

AB* BLOWER PERFORMANCE PSC MOTOR				
Model	Static Pressure			
	0.1	0.2	0.3	0.4
AB* 18 & 24	908	836	753	657
AB* 30	1097	1018	957	827
AB* 36	1222	1184	1116	1058



### New Integral Drain Trap

The AB\* Series furred down air handlers are now standard with our integral drain trap. This unique design eliminates the need for exterior condensate traps in the primary drain line. No more trouble trying to find room above a dropped ceiling for a condensate trap. This feature will save you time and money!