



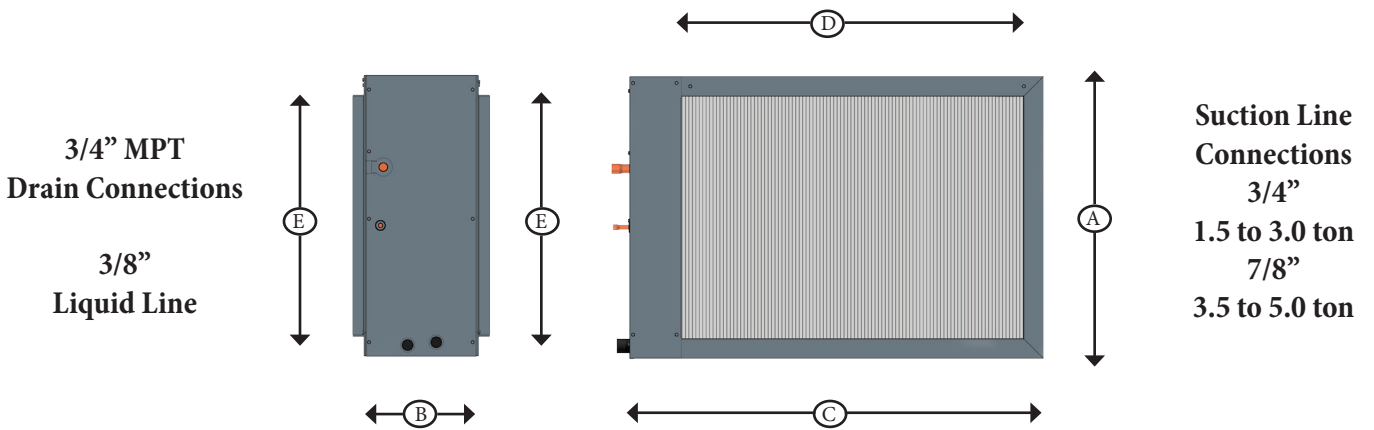
# ASH SERIES HORIZONTAL COIL

## PRODUCT FEATURES



- Embossed, Galvanized Steel Case
- Long Life Aluminum Tube or Rifled Copper Tube
- Corrosion Resistant Long Life Aluminum End Plates and Fins
- Pressure Tested to 500 PSI
- Dual Rated for R-22 and R-410a
- Standard Polycarbonate Drain Pan
- Insulated Cabinet with Reduced Fiberglass Exposure

**5 - Year LIMITED Warranty**  
**Against Coil Leakage and Drain Pan Failure**  
**5 - Year FUNCTIONAL Parts Warranty**



Cabinet Dimensions						
Cabinet Model Number	Coil Selection	Cabinet Height - A	Cabinet Width - B	Cabinet Length - C	Plenum Length - D	Plenum Height - E
5	1726, 1736	24.50"	10.00"	23.00"	16.00"	21.00"
5B	2026, 2036	24.50"	10.00"	25.00"	16.00"	21.00"
6	2426, 2436	24.50"	10.00"	31.00"	24.00"	21.00"
6B	2836, 2836, 2842	24.50"	10.00"	33.00"	24.00"	21.00"
7	3036, 3040	24.50"	10.00"	36.00"	30.00"	21.00"
7B	3436, 3440, 3442	24.50"	10.00"	38.50"	34.00"	21.00"





## ASH SERIES HORIZONTAL COIL

Letter To Number Slab Coil Crossover					
Old Model	Coil Model	Height	Length	Rows	FPI
ASHXX - M4C - 5	ASH** - 1726* - 5	24	17	2	16
	ASH** - 1736* - 5	24	17	3	16
ASHXX - 02C - 5	ASH** - 2036* - 5B	24	20	3	16
ASHXX - 04C - 5B	ASH** - 2026* - 5B	24	20	2	16
ASHXX - Q4C - 6	ASH** - 2426* - 6	24	20	2	16
ASHXX - S4C - 6B	ASH** - 2826* - 6B	24	28	2	16
	ASH** - 2826* - 6B	24	28	2	16
ASHXX - Q2C - 6	ASH** - 2436* - 6	24	24	3	16
ASHXX - Q2TC - 6	ASH** - 2436* - 6	24	24	3	16
ASHXX - T2C - 6B	ASH** - 2836* - 6B	24	28	3	16
ASHXX - T4C - 6B	ASH** - 2836* - 6B	24	28	3	16
	ASH** - 2840* - 6B	24	28	4	10
ASHXX - T2C - 7	ASH** - 2836* - 7	24	28	3	16
ASHXX - A4C - 7	ASH** - 3036* - 7	24	30	3	16
ASHXX - A0C - 7	ASH** - 3040* - 7	24	30	4	10
	ASH** - 3436* - 7B	24	34	3	16
ASHXX - AZ0T - 7B	ASH** - 3440* - 7B	24	34	4	10
ASHXX - AZ2T - 7B	ASH** - 3442* - 7B	24	34	4	12

\* G - Aluminum or T/E - Copper