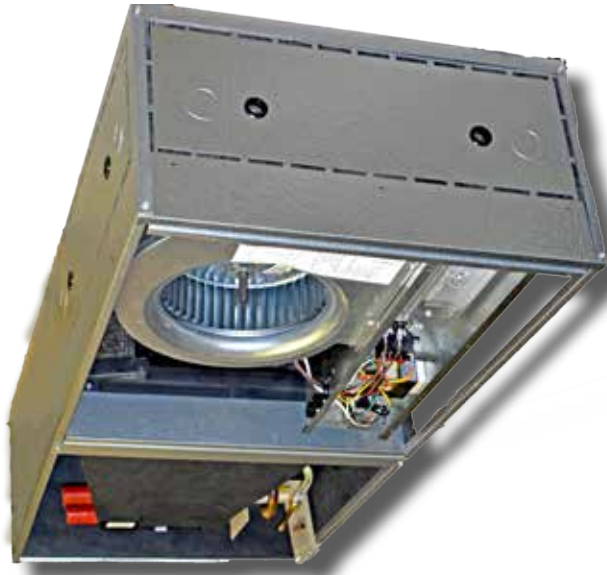


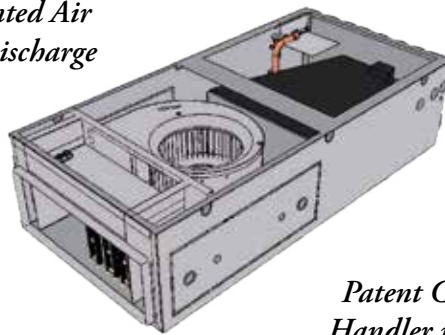
AB' SERIES



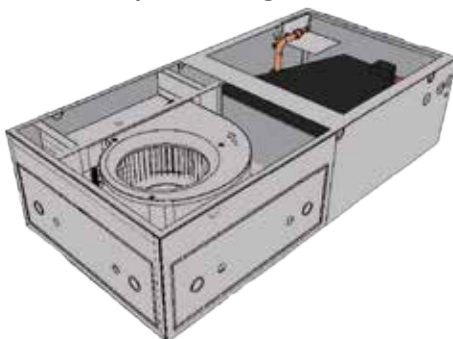
Features:

- Designed for installation in a furred down or dropped ceiling area with a End Discharge or Triple Discharge Option
 - Cooling Only, Cooling and Electric Heating, or Heat Pump Applications
 - Optional factory installed electric heat of either 3, 5, 6, 8, or 10kW
 - Orifice refrigerant metering is standard with Thermal Expansion Valves optional
-
- Polymer drain pan
 - Standard built-in internal filter rack in louvered panel Only
 - Pre-punched side mounting tabs for easier installations
 - Long Life Aluminum or Copper tubing
 - Aluminum fins and end plates
 - Powder coated, hinged access panels must be ordered separately
 - Fully insulated embossed galvanized steel cabinets

Patent Ceiling Mounted Air Handler with End Discharge



Patent Ceiling Mounted Air Handler with Left Discharge



Patent Ceiling Mounted Air Handler with Right Discharge

