

Contents

15000 – AHU Drain pan (ABF/ABK, AHF/AHK, HFD, SL*, BL*, BLDS, VL*, VLD*, VLS*, VLX*, VLL*).....12-22

41000 – A-Coil (AS) Vertical Drain Pans (Cased) 23-28

-ART units for Century, (All ART units use same RP41003 Drain Pan).....23

42000 – M-Coil (AS) Vertical Drain Pans (Cased).....28-32

43000 – A-Coil (ASUC) Vertical Drain Pans (Uncased)33-35

44000 – M-Coil (ASUC) Vertical Drain Pans (Uncased) 35-38

45000 – Plenum Coil Drain Pans (ASLB/ ASFM/ ASKM/*LT, *FL,* KL, *LL)39

46000 – *FMDH/*LBDH Drain Pans.....39-40

-Mobile home Commercial Piggyback (AMCP 48-60, RP46002), (AMCP24-36, RP46003) 40

47000 – Horiz Drain Pans, Residential (ASH, ACTH, ASHL, ASLBH) & Commercial (ABH,ASH72-244)...40-43

BCRT Drain pans on page 43

48000 – Old Metal Drain Pans (ASH, ACTH, ASHL)N/A

49000 – Style Quest ASDH- Dedicated Horizontal-Drain Pans (Pan not available)43-45

51000 – ASRSP (RHEEM & RUDD) Drain Pans45-46

54000 – Mobile Home Coil Drain Pans (ASUM) (ANDF) (ARCP Rooftop Piggyback)..... 46-47

55000 -Commercial, Upflow Metal Drain Pans (ASM72 thru 180).....48-49

Note: Polypropylene material on drain pans is designated by the “P” suffix after the drain pan part number. If no “P” is designated on part number, the material will be polycarbonate.

On SL’s, BL’s Air handlers, and Style Quest Coils that have both Vertical and Horizontal pans, both Vertical and Horizontal pans should be of the same material for production or field replacement.

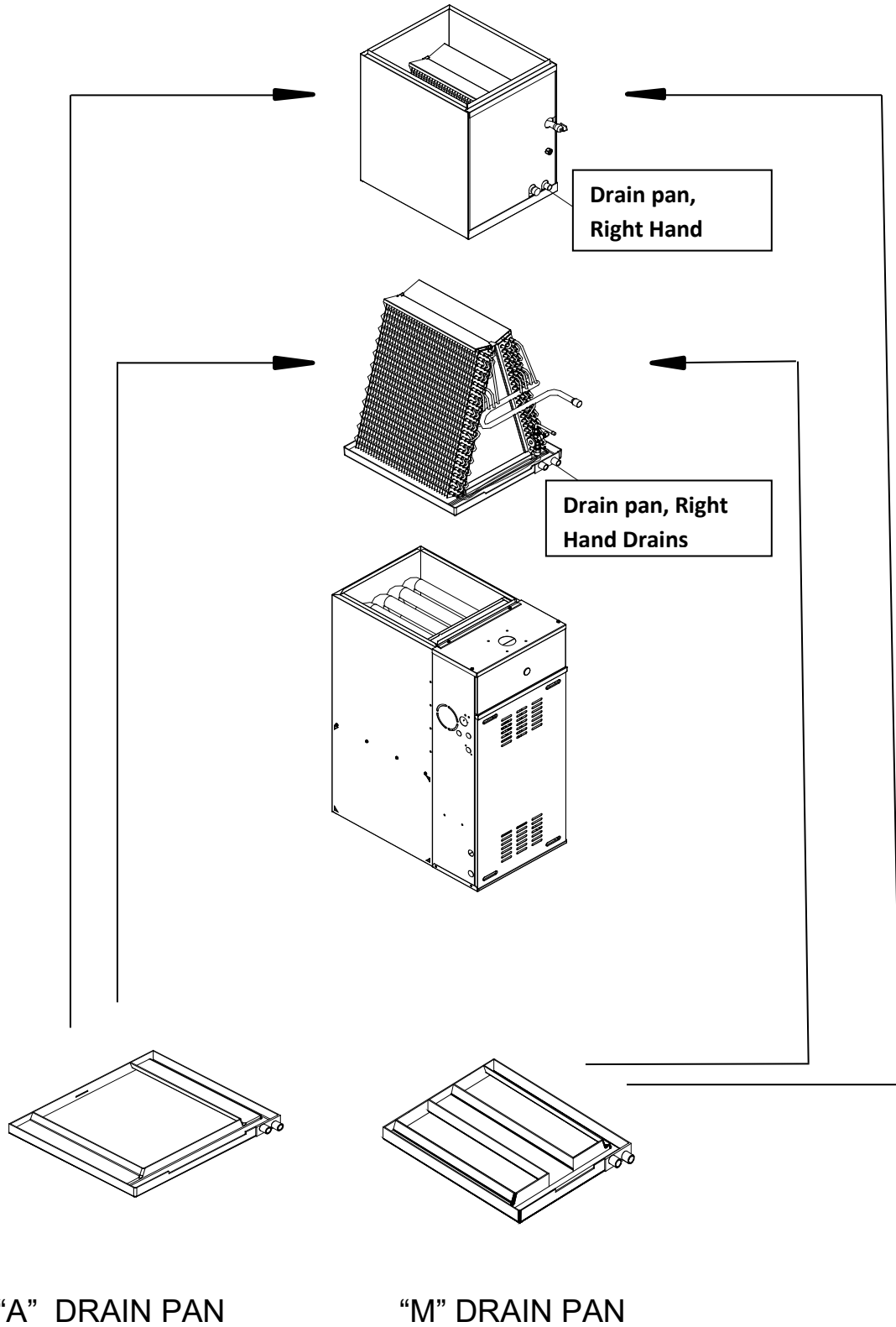
This material conversion will become effective July 4, 2016.

Vertical Drain Pans for Cased and Uncased Vertical Coils used on top of a gas furnaces: ASXX, ASUCXX

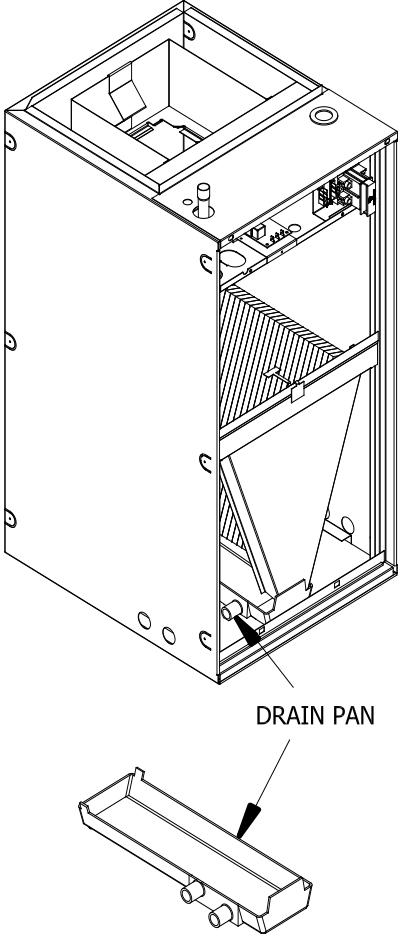
Note: “A” coil drain pan or “M” coil drain pan can be used with or without cabinet as illustrated below.

Cased Upflow Coils -ASXX

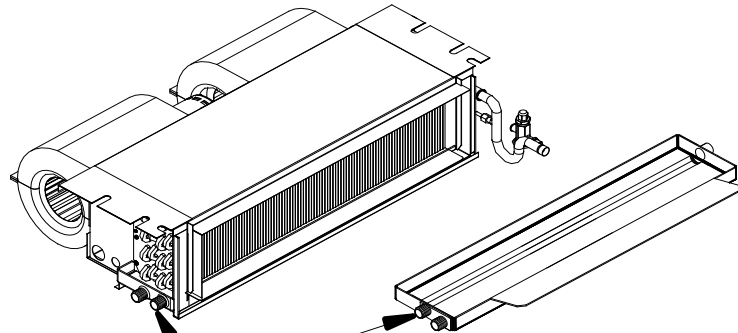
See Pages 23-28



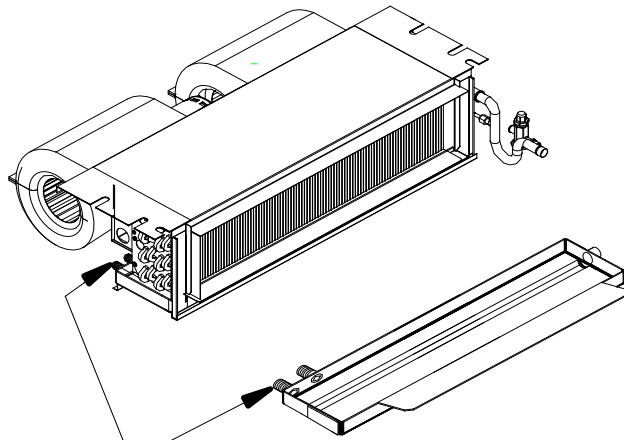
See Pages 12 & 22



HFD, HFP- Double Blower Ceiling Mounted Air Handler Drain Pans for Commercial Ceiling applications



DRAIN PAN WITH DRAINS ON
THE ENDS
See pages 15-16

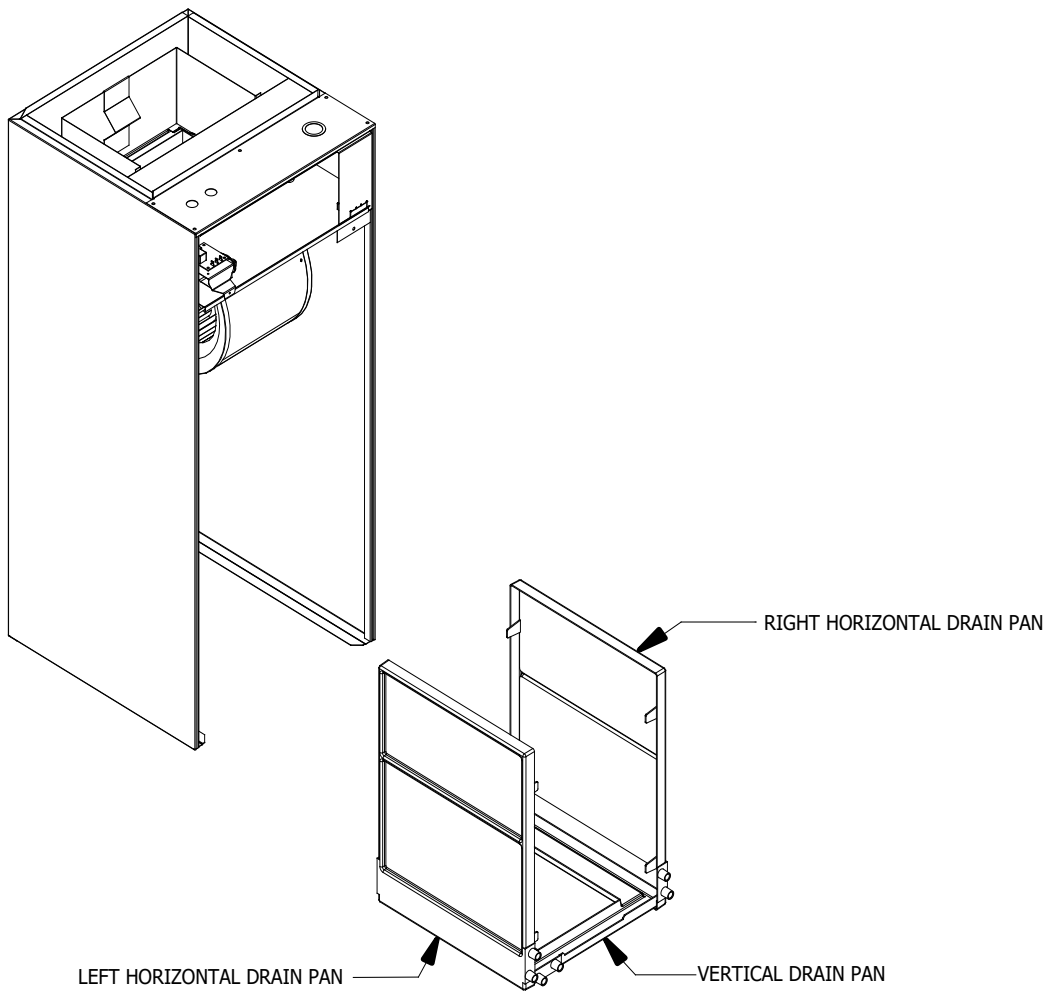


DRAIN PAN WITH DRAINS ON
THE BLOWER SIDE
See pages 17-18

Note: If the unit has a housing, the drains on the drain pan are on the blower side.

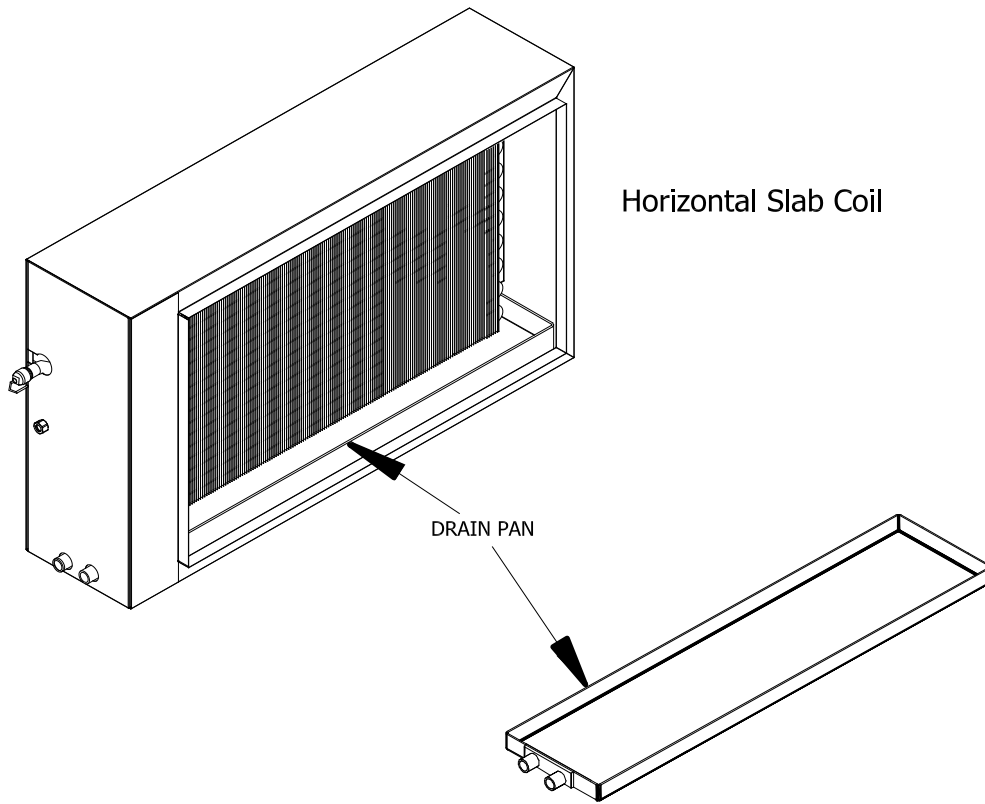
BLT, BLD, BLTS, BLDS, BLN, BLNT, and SL, SLT -Multi-Position Air Handler Drain Pans for Attic and Closet applications

Airhandler in Vertical position with no access panels as shown.

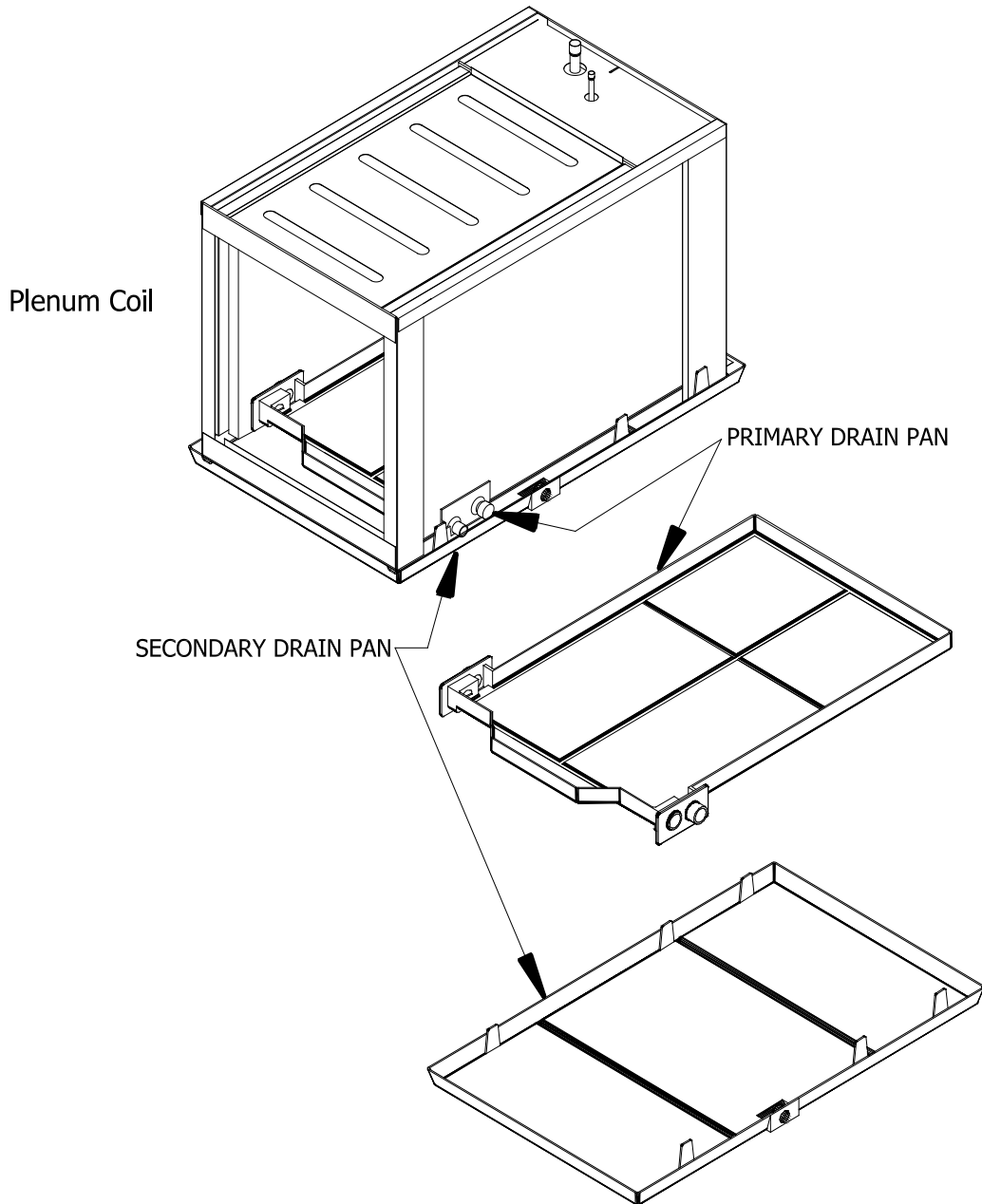


ASH/ASHL- Horizontal Slab coil drain pan for attic applications

See Pages 39 and 42.

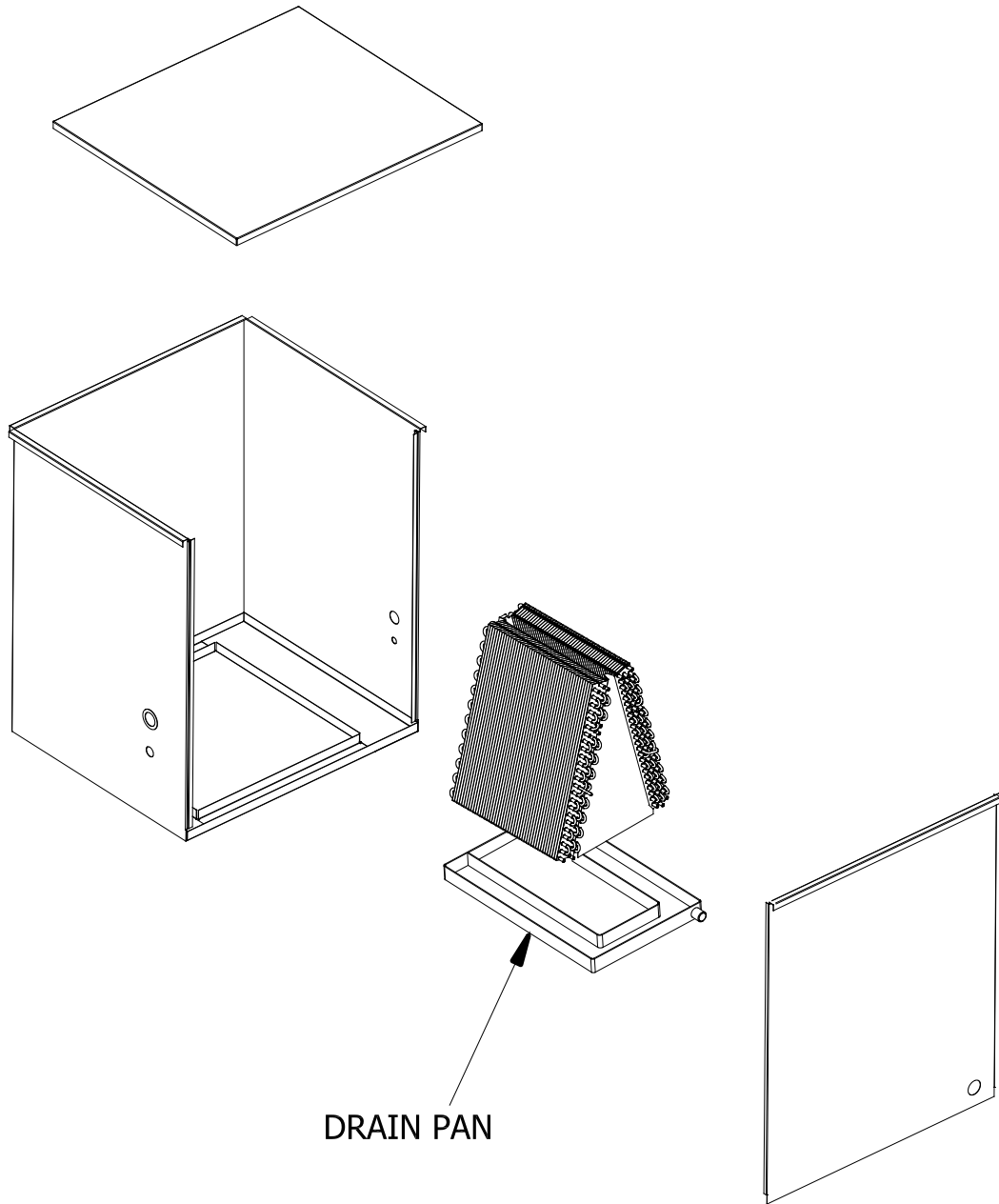


See Pages 37 and 39

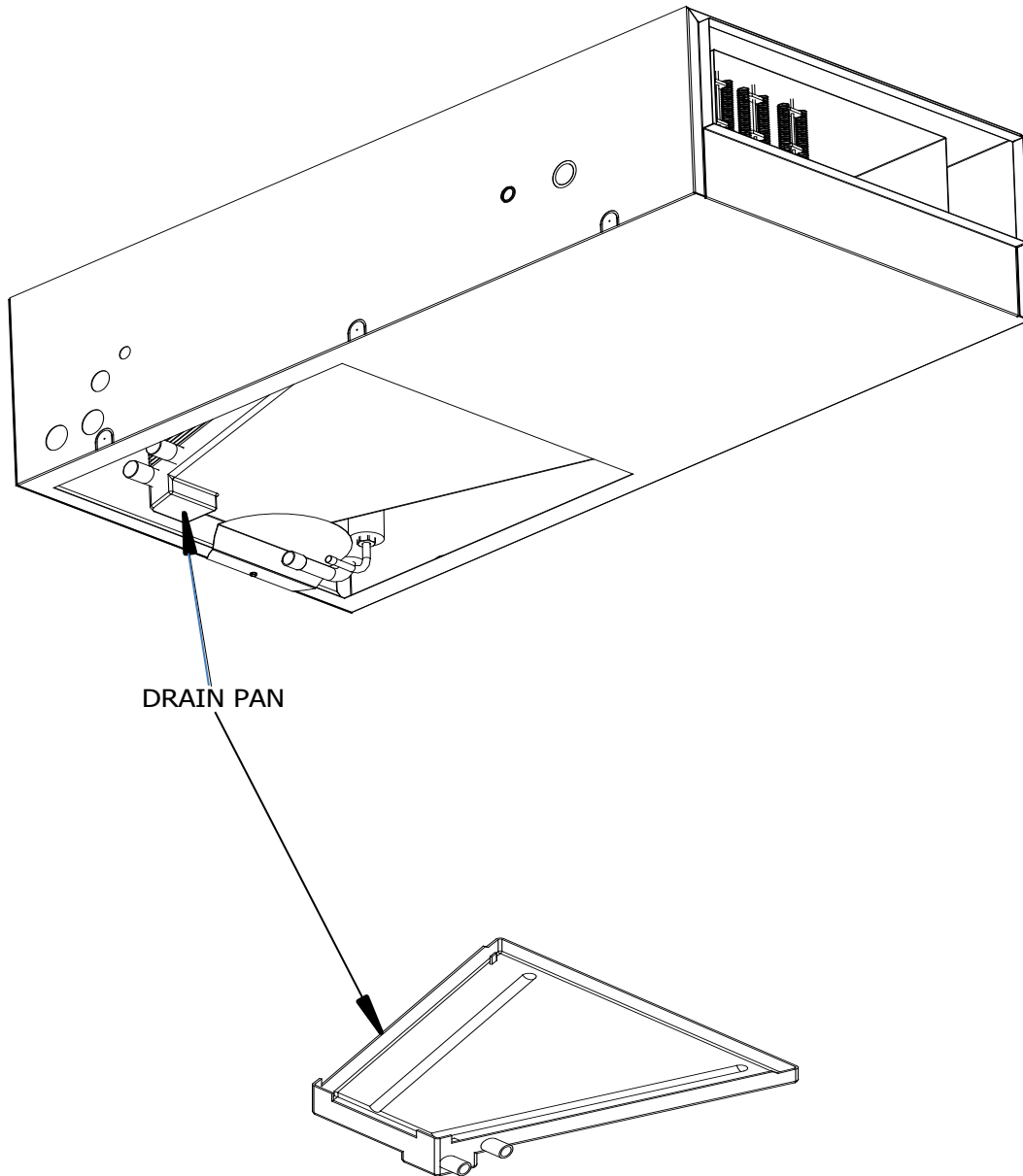


ART- Century Roof top Air handlers

See Page 23

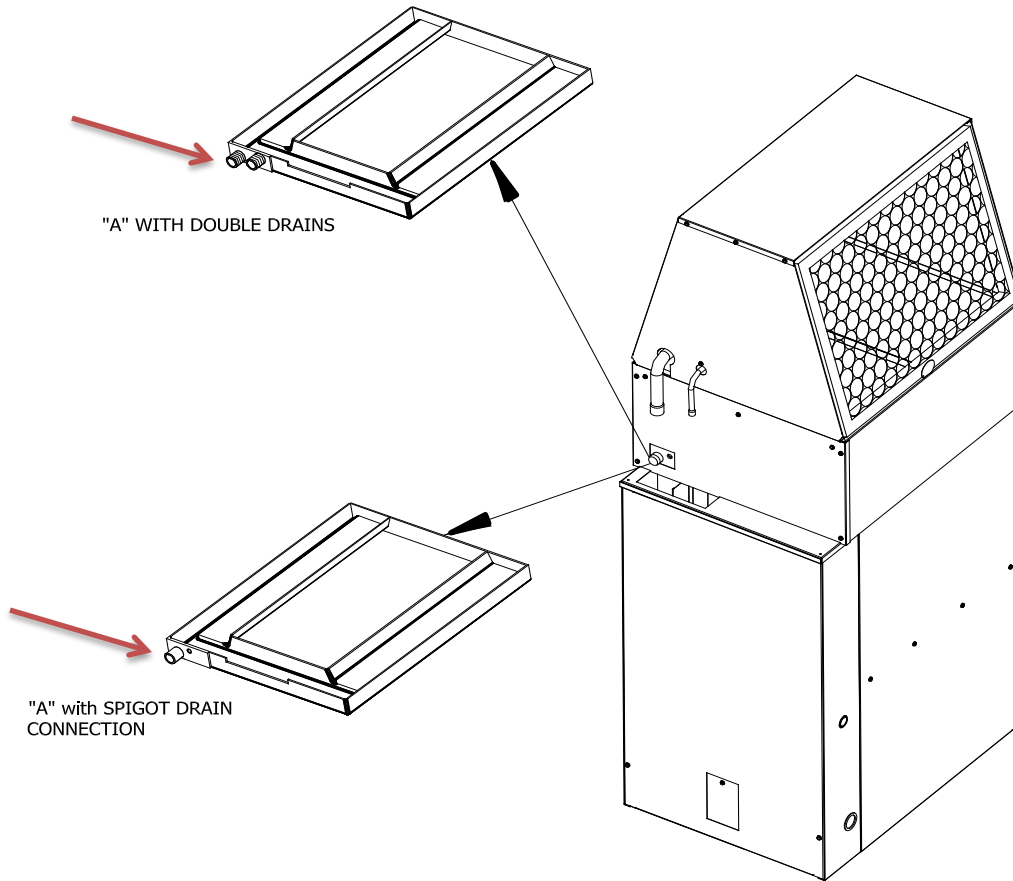


See Pages 16-17

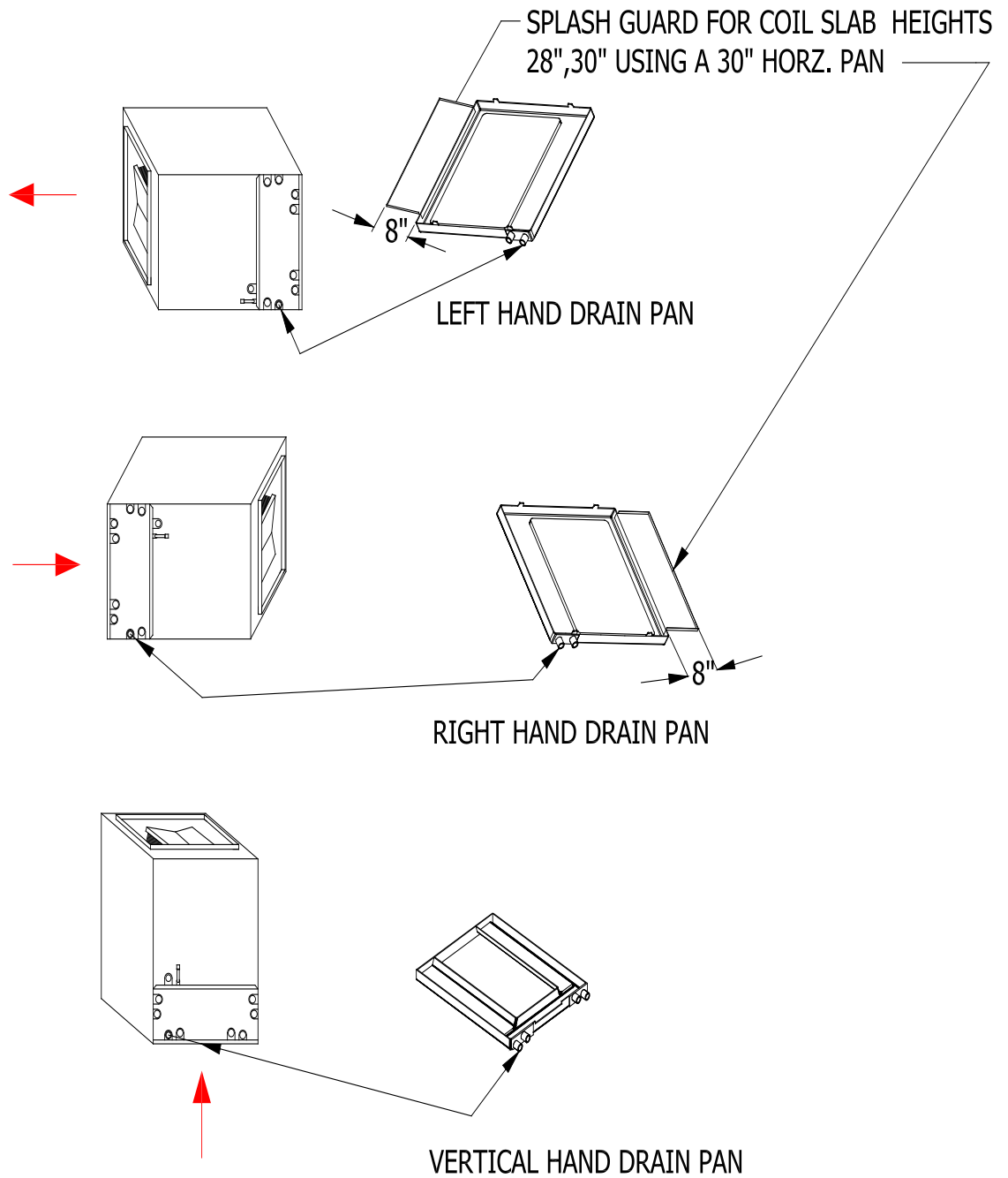


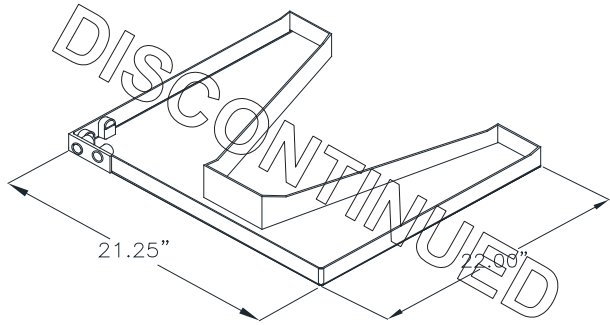
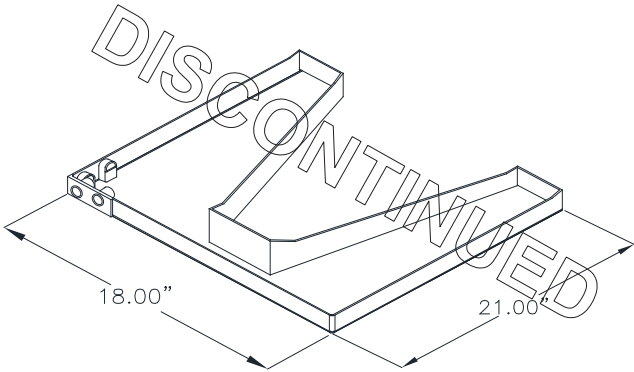
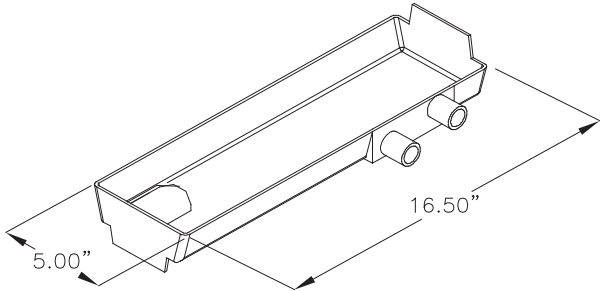
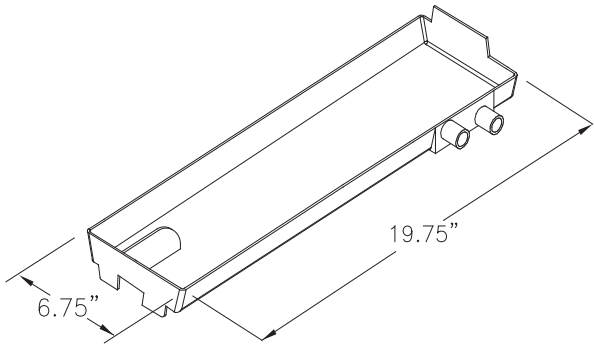
ADFM- Mobile Home Air handler coil drain pans "A" and "M" shown below are for vertical applications only.

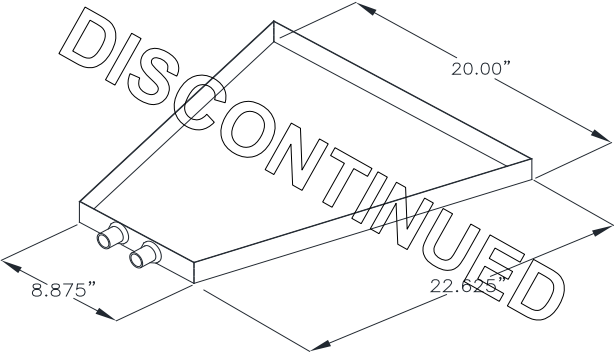
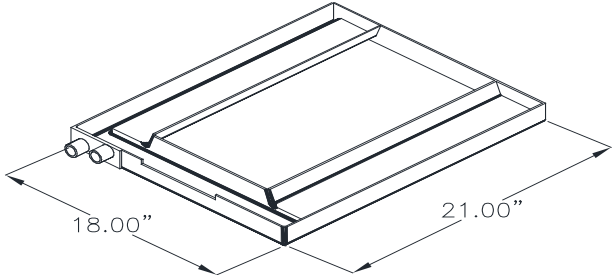
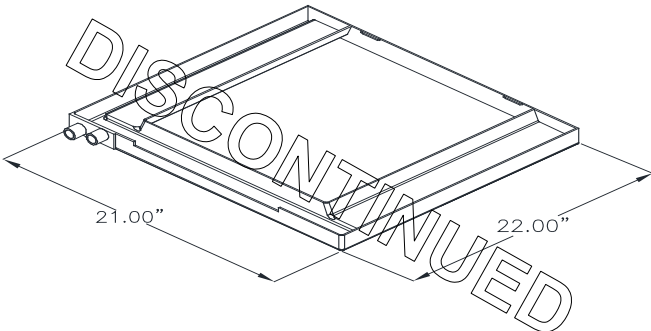
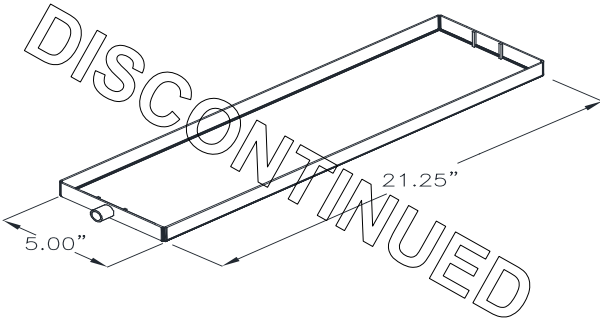
(Do not use "M" Drain pans on ANDF Coils) See Pages 45 & 46

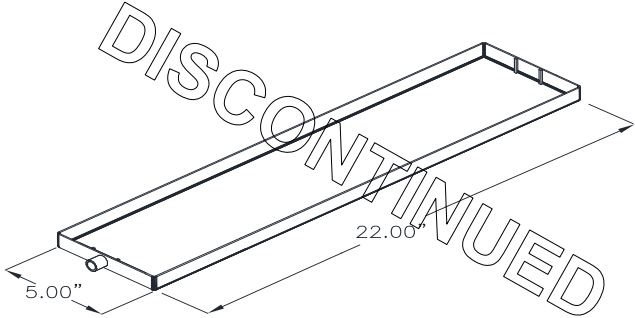
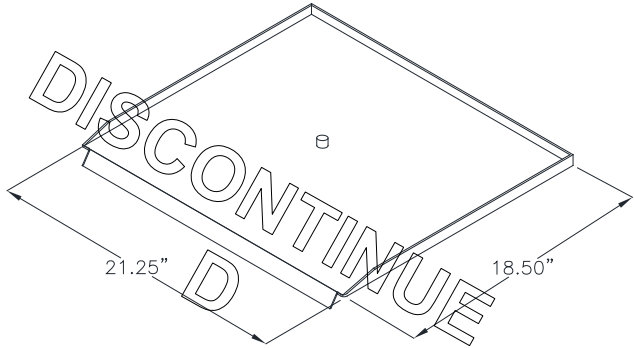
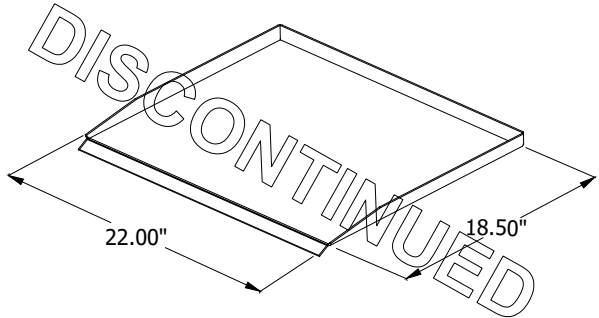
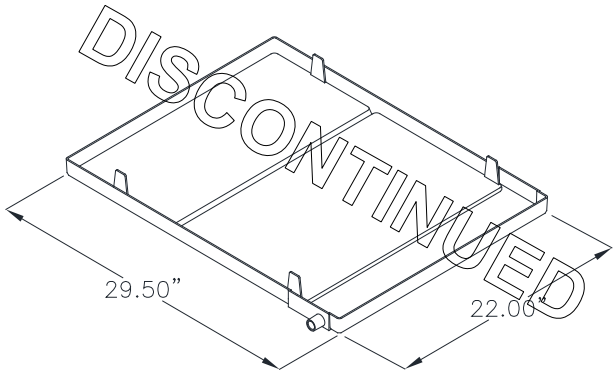


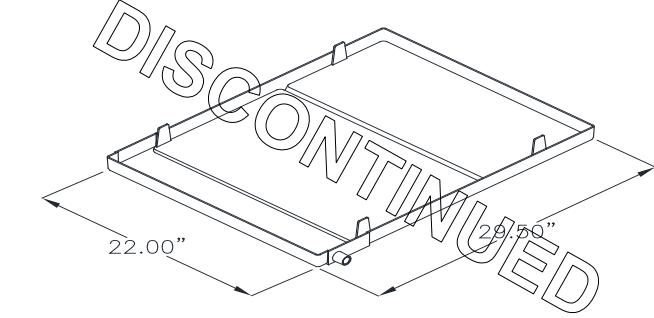
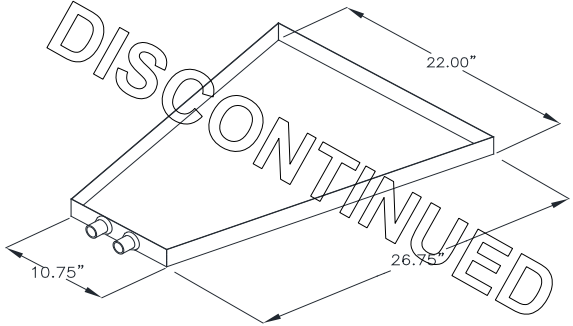
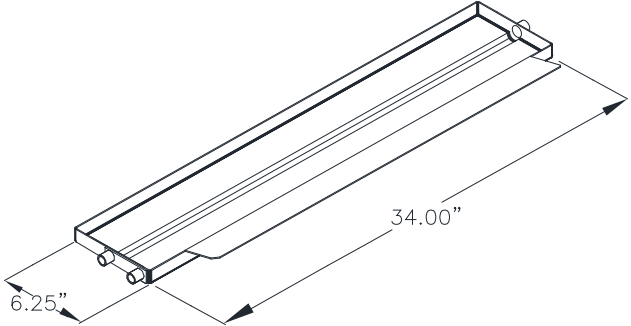
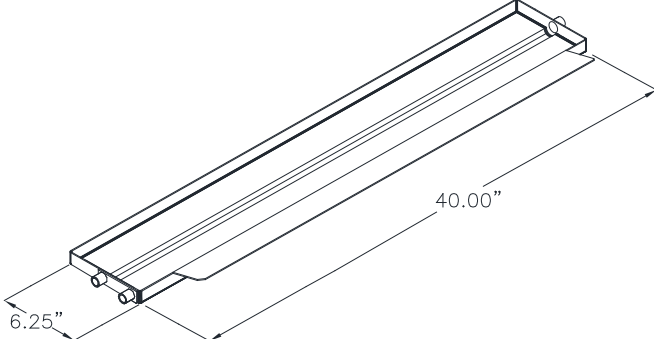
STYLEQUEST MULTI-POSITION COILS

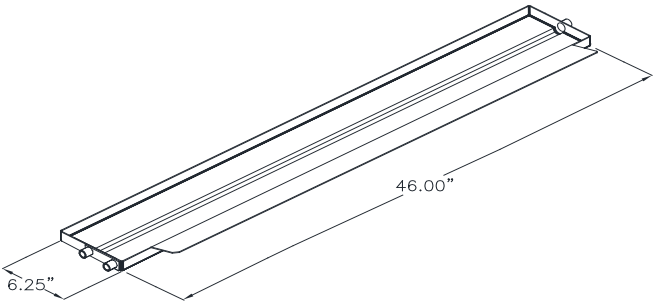
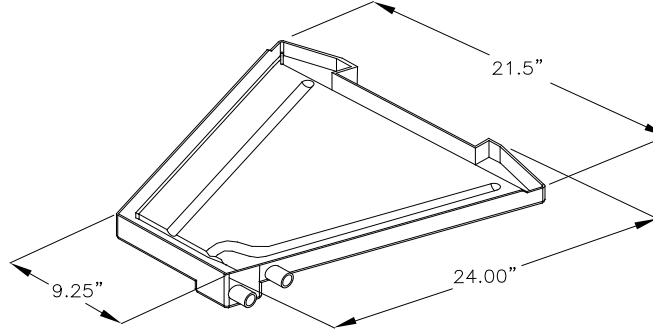
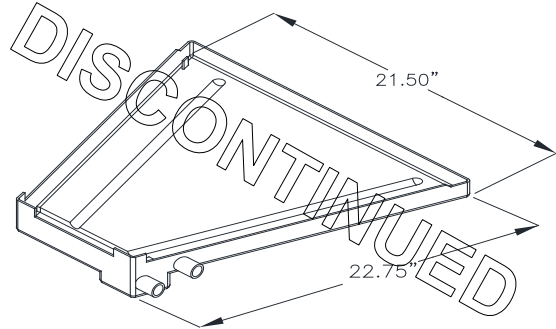
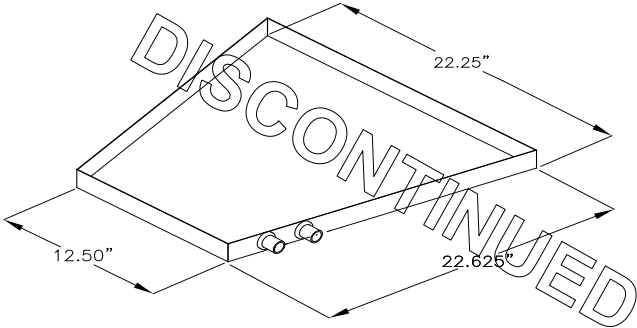


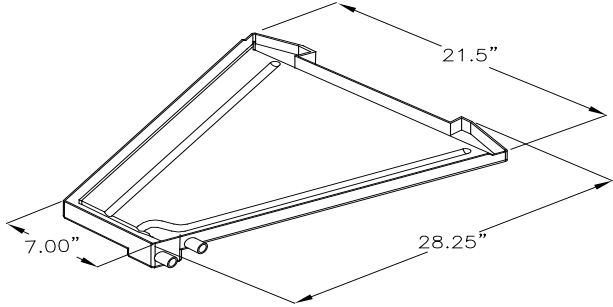
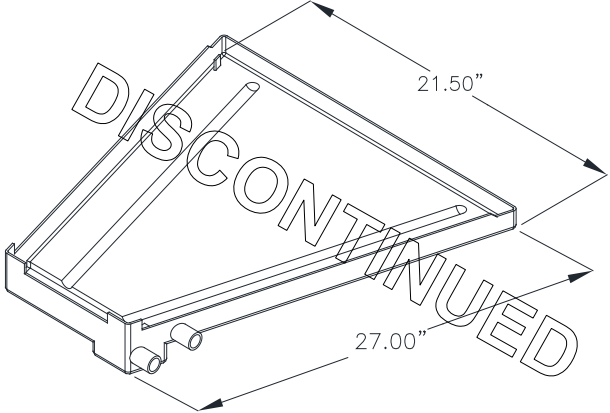
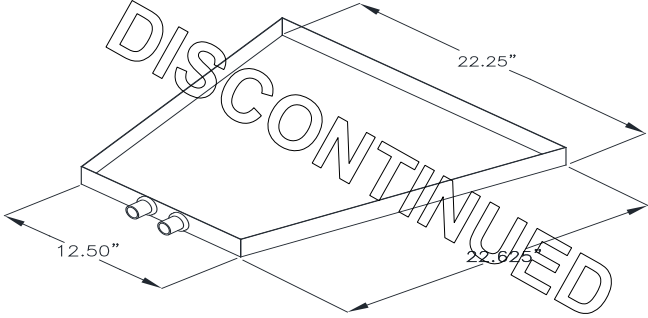
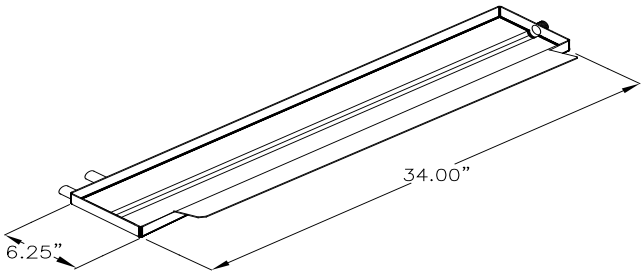
Part Number	Description	Figure
15001	"OLD SL" DRAIN PAN	
15002	"OLD BL" DRAIN PAN	
15003 or 15003P	VL / VLS (Original Micro) VERTICAL DRAIN PAN "No P" is Polycarbonate matl. "P" stands for Polypropylene matl.	
15004 or 15004P	VLF/ VLFW/ VLD/ VLX/ VLW / VLXW VERTICAL DRAIN PAN (FOR 3 ROW, 17" Wide COILS) (USE DRAIN PAN 15050 FOR 2-ROW COILS)	

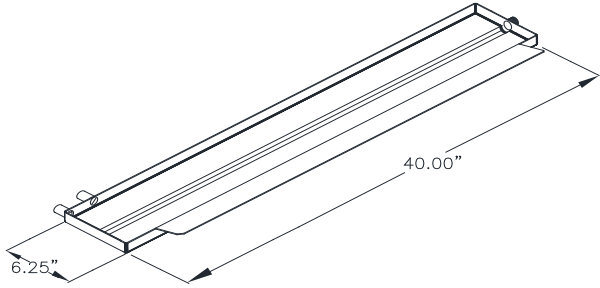
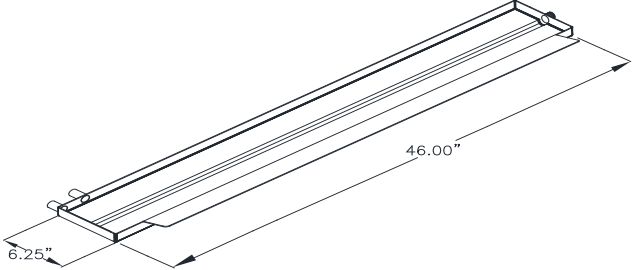
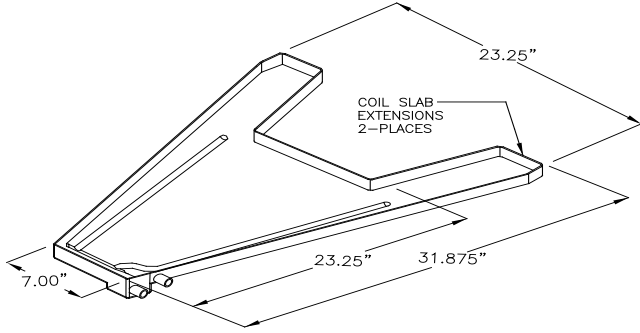
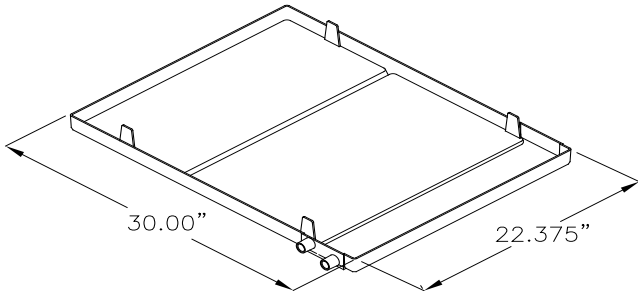
Part Number	Description	Figure
15005	<p>AHB/F DRAIN PAN (METAL)</p>	
15006 or 15006	<p>SL / SLW</p> <p>SL "A" VERTICAL DRAIN PAN</p>	
15007	<p>BL "A" UPFLOW DRAIN PAN (For Coils built before 2014)</p> <p>Replaced by 15040, or 15041 For Coils built 2014 and after</p>	
15008	<p>SL "" DRAIN PAN</p> <p>Replaced by Horz. Pan (right) 15044 Replaced by Horz. Pan (left) 15049 Effective 2012</p> <p>(Still In Stock)</p>	

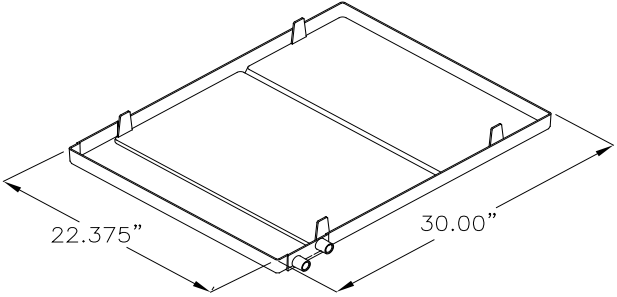
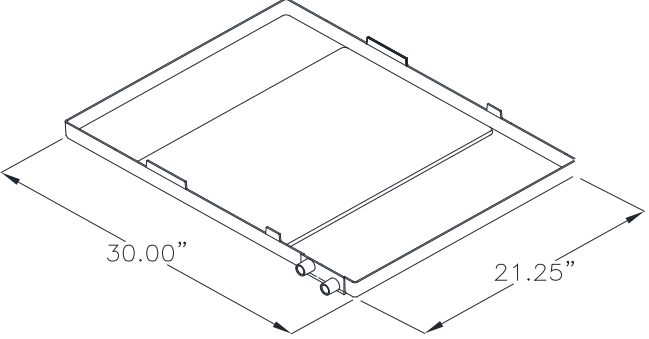
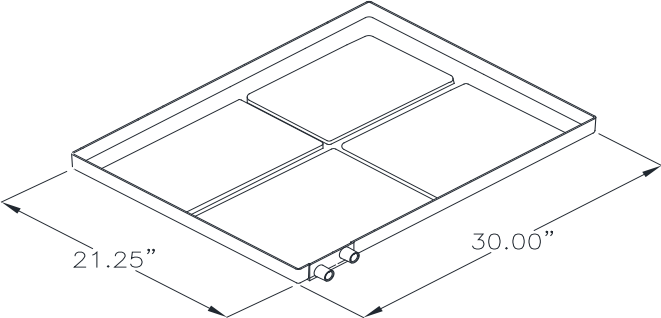
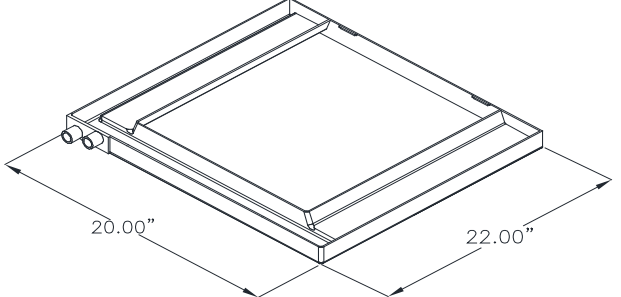
Part Number	Description	Figure
15009	<p>BL "H" DRAIN PAN</p> <p>Replaced by Horz. Pan (right) 15037 Replaced by Horz. Pan (left) 15036 Effective 2012</p> <p>(Still in Stock)</p>	
15010	<p>SL SHIELD PAN</p> <p>(Not available)</p>	
15011	<p>BL SHIELD PAN</p> <p>(Not available)</p>	
15012	<p>BL61 HORIZONTAL DRAIN PAN, SINGLE DRAIN CONNECTION LEFT HAND</p>	

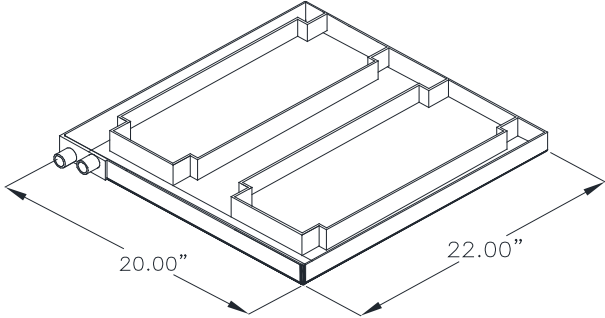
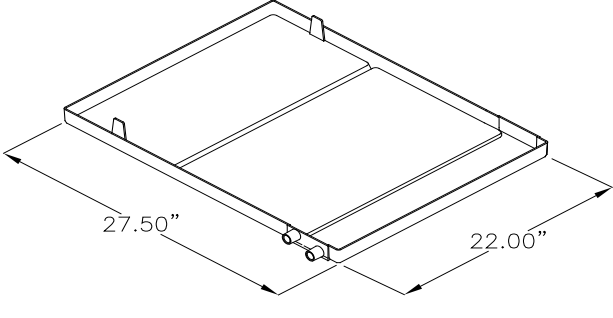
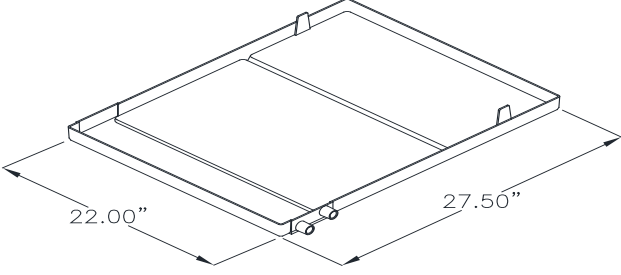
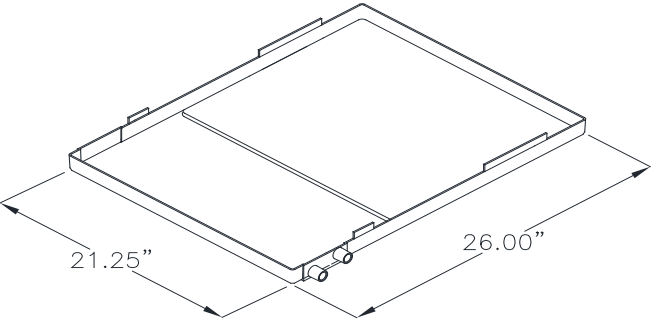
Part Number	Description	Figure
15013	<p>BL61 HORIZONTAL DRAIN PAN, SINGLE DRAIN CONNECTION RIGHT HAND</p>	
15016	<p>AHKE DRAIN PAN (METAL)</p>	
15017	<p>HFD/W/P-30" COIL LENGTH DRAIN PAN DRAINS ON THE END (IF 30" DRAIN PAN WITH DRAINS ON THE BLOWER SIDE ARE REQUIRED, GO TO 15028F)</p>	
15018	<p>HFD/W/P-36" COIL LENGTH DRAIN PAN DRAINS ON THE END (IF 36" DRAIN PAN WITH DRAINS ON THE BLOWER SIDE ARE REQUIRED, GO TO 15029F)</p>	

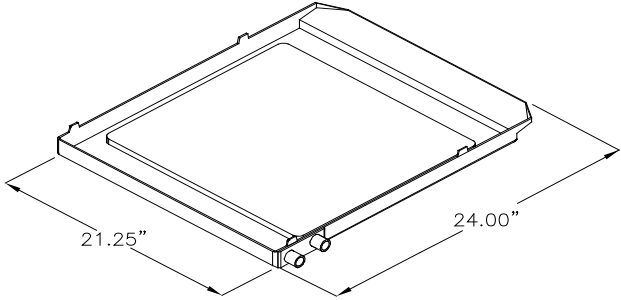
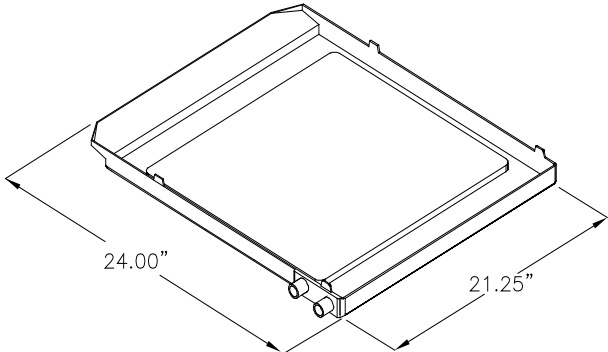
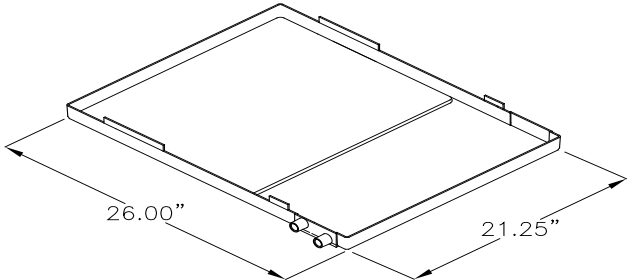
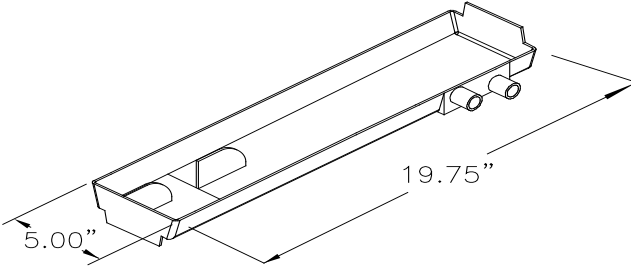
Part Number	Description	Figure
15019	<p>HFD/ W/ P-42" COIL LENGTH DRAIN PAN DRAINS ON THE END</p> <p>(IF 42" DRAIN PAN WITH DRAINS ON THE BLOWER SIDE ARE REQUIRED, GO TO 15030F)</p>	
15021 or 15021P	<p>AHF/ABF/ AHL SERIES "D" DRAIN PAN WITH WATER TRAP</p> <p>THIS 24" PAN REPLACED 22.75" PAN BELOW. SEND 24" NEW PAN IN PLACE OF 22.75R" EFFECTIVE 4/2014</p> <p>"No P" is Polycarbonate "P" stands for Polypropylene</p>	
15021	<p>AHF/ AHL SERIES "D" DRAIN PAN WITH WATER TRAP</p> <p>USED ON AH SERIES BUILT BEFORE 4/2014</p>	
15021	<p>AH SERIES DRAIN PAN (METAL PAN)</p>	

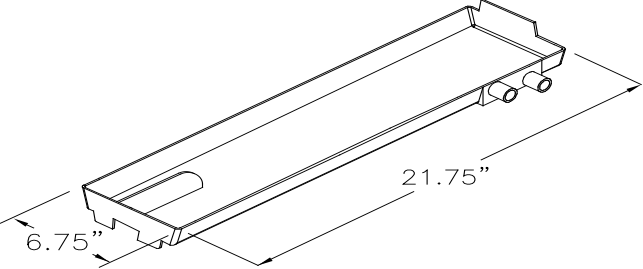
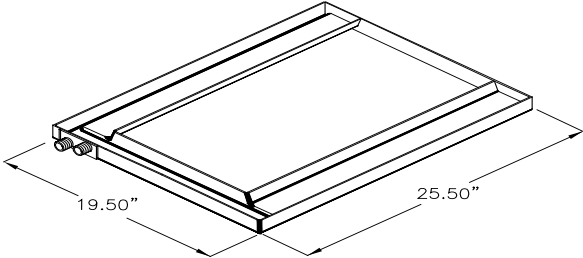
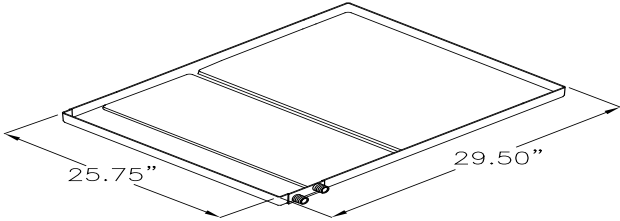
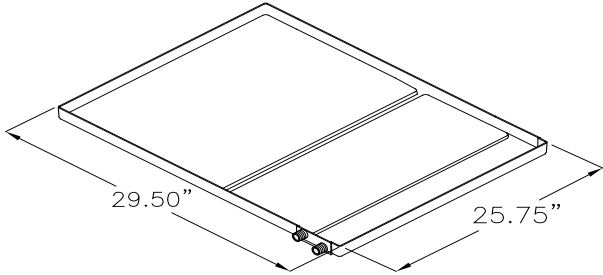
Part Number	Description	Figure
15022 or 15022P	<p>AHK/ABK/ AHKL SERIES "D" DRAIN PAN WITH WATER TRAP</p> <p>THIS 28.25" PAN REPLACED 27" PAN BELOW. SEND 28.25"NEW PAN IN PLACE OF 27" EFFECTIVE 4/2014</p>	
15022	<p>AHK/ AHKL SERIES "D" DRAIN PAN WITH WATER TRAP</p> <p>USED ON AH SERIES BUILT BEFORE 4/2014</p>	
15026	<p>AHBP / AHBE SERIES DRAIN PAN (METAL PAN)</p> <p>(Not Available)</p> <p>Pan should be fabricated in the field</p>	
15028F	<p>HFD/ W /P-30" COIL LENGTH DRAIN PAN DRAINS ON THE BLOWER SIDE</p> <p>(IF 30" PAN WITH DRAINS ON THE ENDS ARE REQUIRED, GO TO 15017)</p>	

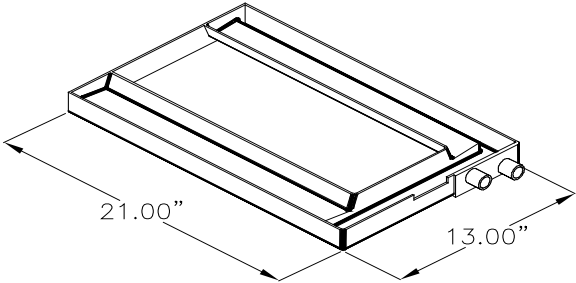
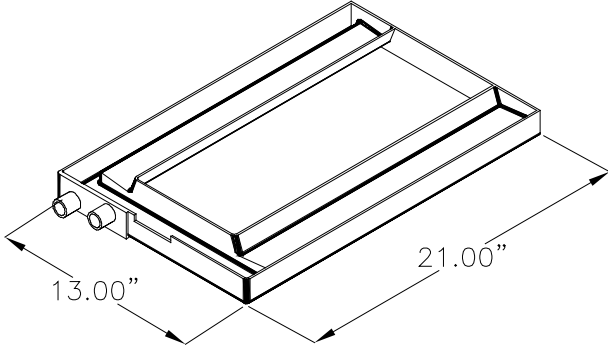
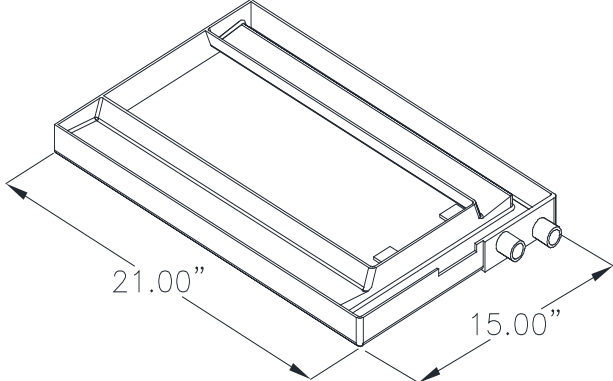
Part Number	Description	Figure
15029F	<p>HFD / W / P-36" COIL LENGTH DRAIN PAN DRAINS ON THE BLOWER SIDE</p> <p>(IF 36" PAN WITH DRAINS ON THE ENDS ARE REQUIRED, GO TO 15018)</p>	
15030F	<p>HFD/ W / P-42" COIL LENGTH DRAIN PAN DRAINS ON THE BLOWER SIDE</p> <p>(IF 42" PAN WITH DRAINS ON THE ENDS ARE REQUIRED, GO TO 15019)</p>	
15033 or 15033P	<p>ABSK/ AHSK SERIES DRAIN PAN WITH WATER TRAP</p> <p>(FOR NEW ABSK/ AHSK UNITS BUILT IN 9/2015)</p>	
15036 or 15036P	<p>BLT HORIZONTAL DRAIN PAN, TWO DRAIN CONNECTIONS, LEFT HAND</p> <p>"No P" is Polycarbonate "P" stands for Polypropylene</p>	

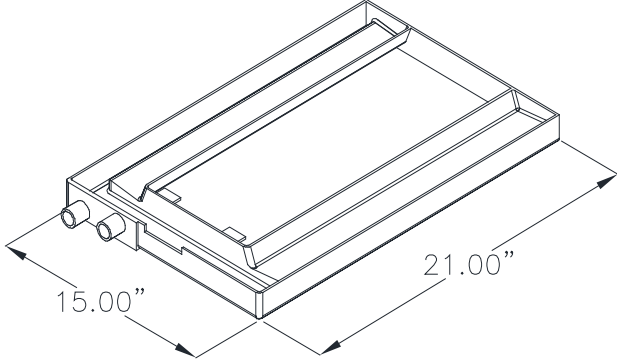
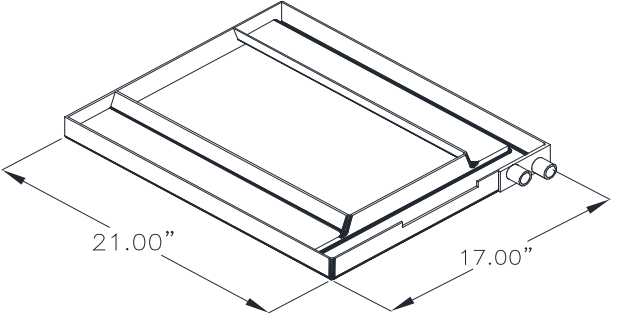
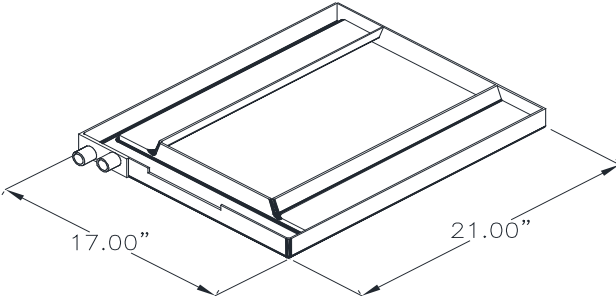
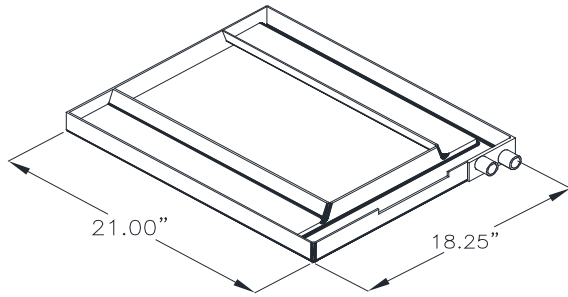
Part Number	Description	Figure
<p>15037 or 15037P</p>	<p>BLT HORIZONTAL DRAIN PAN, TWO DRAIN CONNECTIONS, RIGHT HAND</p> <p>“No P” is Polycarbonate “P” stands for Polypropylene</p>	
<p>15038 or 15038P</p> <p>NEW 15055P</p>	<p>SL HORIZONTAL DRAIN PAN, TWO DRAIN CONNECTIONS, LEFT HAND</p> <p>FOR COIL SLABS 22”-24”</p> <p>NEW – 15055P – SL/ASQN HORIZONTAL LH FOR COILS SLABS 24” – 30” SIZE: 23” X 30” EFFECTIVE: 1/2021</p>	
<p>15039 or 15039P</p> <p>NEW 15056P</p>	<p>SL HORIZONTAL DRAIN PAN, TWO DRAIN CONNECTIONS, RIGHT HAND</p> <p>FOR COIL SLABS 22”-24”</p> <p>NEW – RP15056P – SL/ASQN HORIZONTAL RH FOR COIL SLABS 24” - 30” SIZE: 23” X 30” EFFECTIVE: 1/2021</p>	
<p>15040 or 15040P</p>	<p>BLT, BLN, BLNT “A” COIL VERTICAL DRAIN PAN LEFT HAND</p> <p>NOTE: FOR COILS BUILT 2014 AND AFTER</p>	

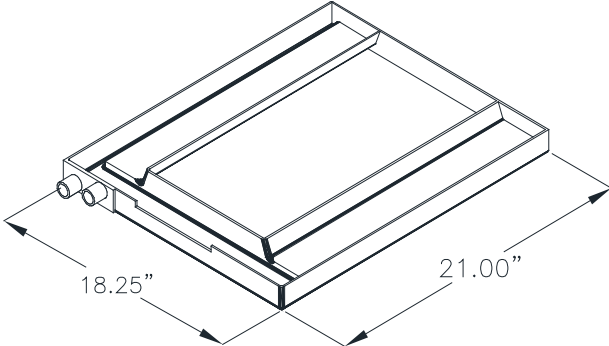
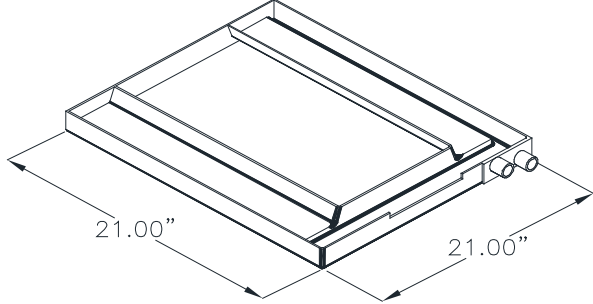
Part Number	Description	Figure
<p>15041 or 15041P</p>	<p>BLT, "M" COIL VERTICAL DRAIN PAN LEFT HAND</p> <p>NOTE: FOR COILS BUILT 2014 AND AFTER</p> <p>"No P" is Polycarbonate "P" stands for Polypropylene</p>	
<p>15042 or 15042P</p>	<p>BLNLH HORIZONTAL DRAIN PAN LEFT HAND</p>	
<p>15043 or 15043P</p>	<p>BLNRH HORIZONTAL DRAIN PAN RIGHT HAND</p>	
<p>15044 or 15044P</p>	<p>SL & STYLEQUEST HORIZONTAL DRAIN PAN RIGHT HAND</p> <p>(Effective 2021)</p> <p>FOR COIL SLABS 18" - 22"</p> <p>Note: Splash Guard are added along with these coil slabs</p>	

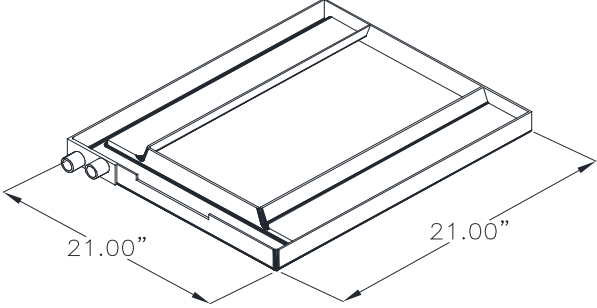
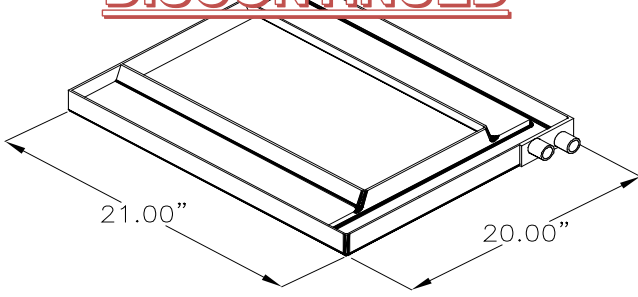
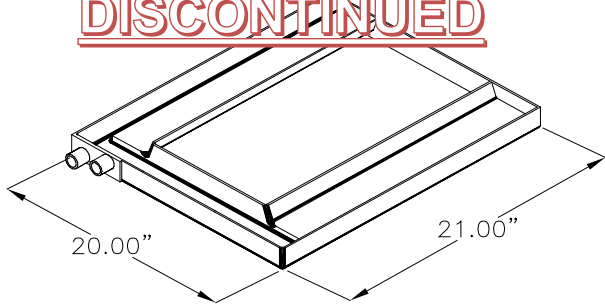
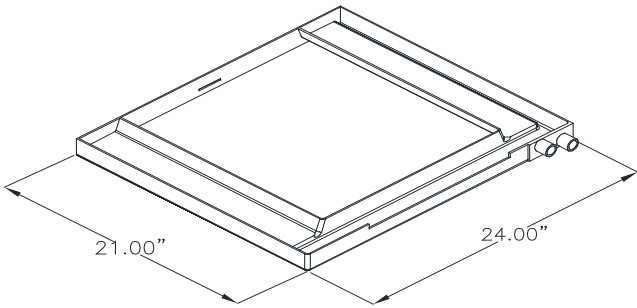
Part Number	Description	Figure
<p>15047 or 15047P</p>	<p>SL & STYLEQUEST HORIZONTAL DRAIN PAN</p> <p>RIGHT HAND</p> <p>(For Coils Built After Feb2014) (Replaces 49004 w/center drains)</p> <p>FOR COIL SLABS 12"-18"</p>	
<p>15048 or 15048P</p>	<p>SL & STYLEQUEST HORIZONTAL DRAIN PAN</p> <p>LEFT HAND</p> <p>(For Coils Built After Feb2014) (Replaces 49005 w/center drains)</p> <p>FOR COIL SLABS 12"-18"</p>	
<p>15049 or 15049P</p>	<p>SL & STYLEQUEST HORIZONTAL DRAIN PAN</p> <p>LEFT HAND</p> <p>(Effective 2021)</p> <p>FOR COIL SLABS 18"- 22"</p> <p>Note: Splash Guard are added to these coil slabs</p>	
<p>15050 or 15050P</p>	<p>VLF/ VLFW/ VLD/ VLX/ VLXW</p> <p>(with 16.5" coil width) VERTICAL DRAIN PAN</p> <p>(USED ON 2 ROW COILS)</p>	

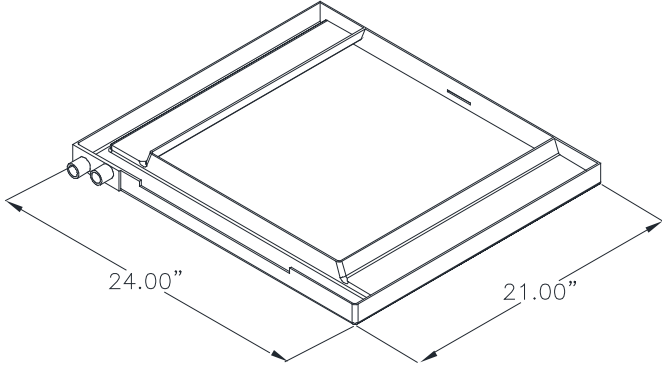
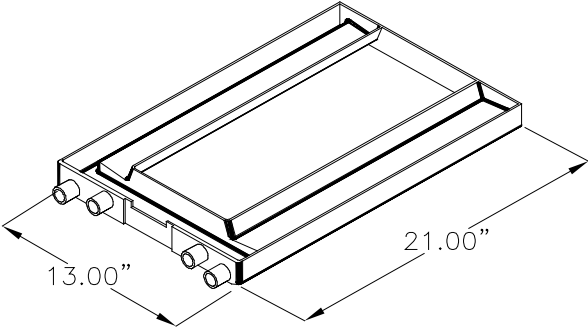
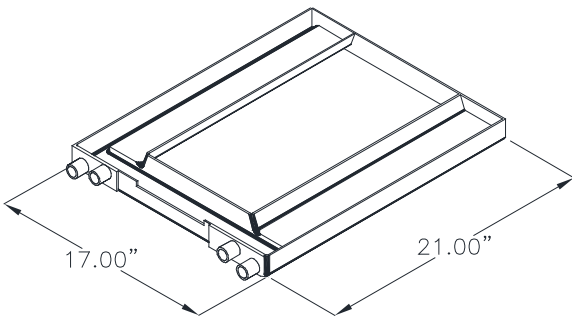
Part Number	Description	Figure
<p>15051 or 15051P</p>	<p>VLB/ VLBW/ VLL/ VLLW (3 Row with 18"coil width) VERTICAL DRAIN PAN</p>	
<p>15052P</p>	<p>BLDS (SPLIT AIRHANDLER) BLN, BLNT (SINGLE AIRHANDLER) VERTICAL DRAIN PAN</p>	
<p>15053P NEW 15057P</p>	<p>BLDS, BLN, BLNT HORIZONTAL DRAIN PAN RIGHT HAND NEW – RP15057P – HORIZONTAL RIGHT HAND SIZE: 23" X 35" EFFECTIVE: 1/2021</p>	
<p>15054P NEW 15058P</p>	<p>BLDS, BLN, BLNT HORIZONTAL DRAIN PAN LEFT HAND NEW – RP15058P – HORIZONTAL LEFT HAND SIZE: 23" X 35" EFFECTIVE: 1/2021</p>	

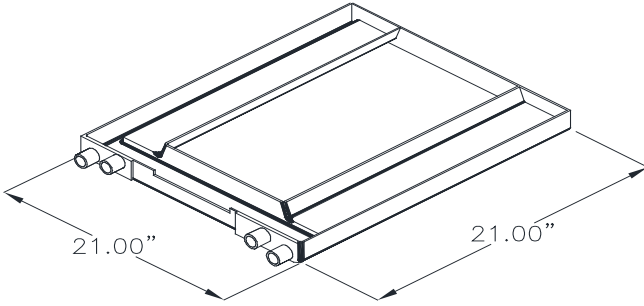
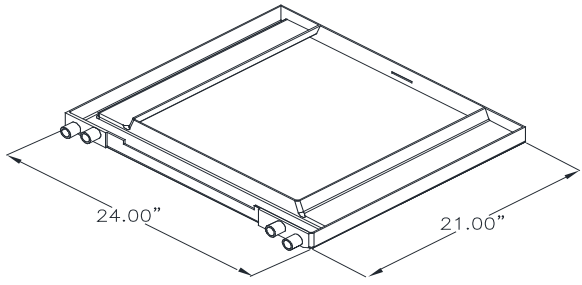
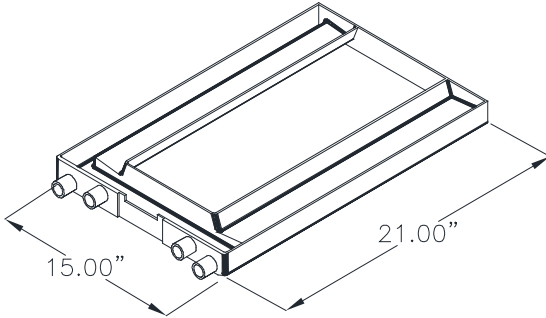
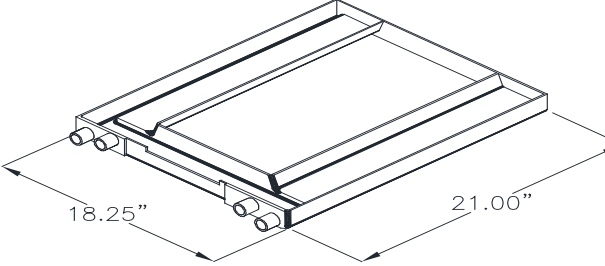
Part Number	Description	Figure
41001 or 41001P	<p align="center"> “A” COIL VERTICAL DRAIN PAN RIGHT HAND CASED </p> <p align="center"> CABINET: 5/ 5S/5G </p> <p align="center"> NOTE: FOR DUAL PORTS (DP) SEE 41074 </p>	
41002 or 41002P	<p align="center"> “A” COIL VERTICAL DRAIN PAN LEFT HAND CASED </p> <p align="center"> CABINET: 5/ 5S/5G </p> <p align="center"> NOTE: FOR DUAL PORTS (DP) SEE 41074 </p>	
41003 or 41003P	<p align="center"> “A” COIL VERTICAL DRAIN PAN RIGHT HAND CASED </p> <p align="center"> CABINET: 6/ 6H </p> <p align="center"> NOTE: FOR DUAL PORTS (DP) SEE 41078 </p> <p align="center"> ----- 41003 Used also on: Century ART 800, 1000, 1200 </p>	

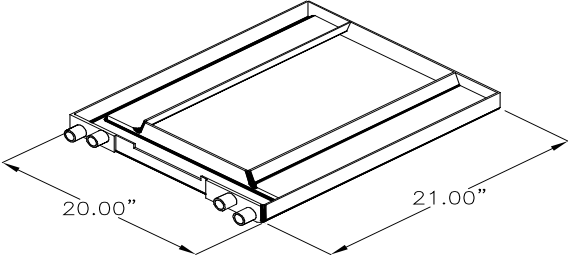
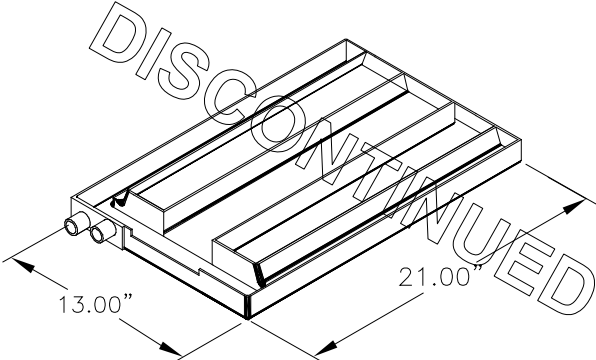
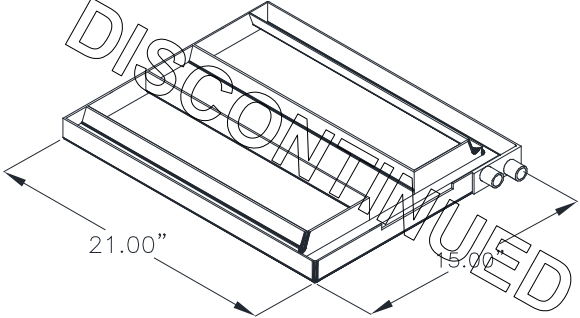
Part Number	Description	Figure
41004 or 41004P	<p align="center">"A" COIL VERTICAL DRAIN PAN LEFT HAND CASED</p> <p align="center">CABINET: 6/ 6H</p> <p align="center">NOTE: FOR DUAL PORTS (DP) SEE 41078</p>	
41005 or 41005P	<p align="center">"A" COIL VERTICAL DRAIN PAN RIGHT HAND CASED</p> <p align="center">CABINET: 6A/ 6R/ 6S/6G CABINET: 7 EFFECTIVE 1/2021</p> <p align="center">NOTE: FOR DUAL PORTS (DP) SEE 41075</p>	
41006 or 41006P	<p align="center">"A" COIL VERTICAL DRAIN PAN LEFT HAND CASED</p> <p align="center">LH WITHOUT STANDARD</p> <p align="center">CABINET: 6A/ 6R/ 6S/6G CABINET: 7 EFFECTIVE 1/2021</p> <p align="center">NOTE: FOR DUAL PORTS (DP) SEE 41075</p>	
41011 or 41011P	<p align="center">"A" COIL VERTICAL DRAIN PAN RIGHT HAND CASED</p> <p align="center">CABINET: 7/ 7H</p> <p align="center">NOTE: FOR DUAL PORTS (DP) SEE 41079</p>	

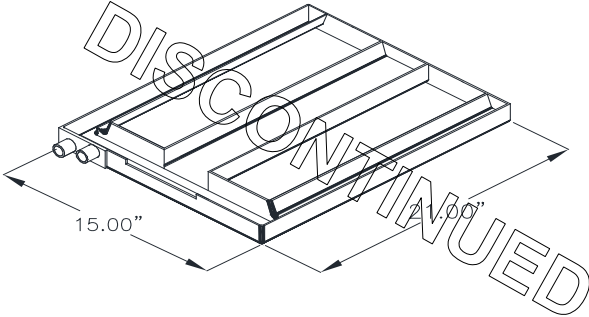
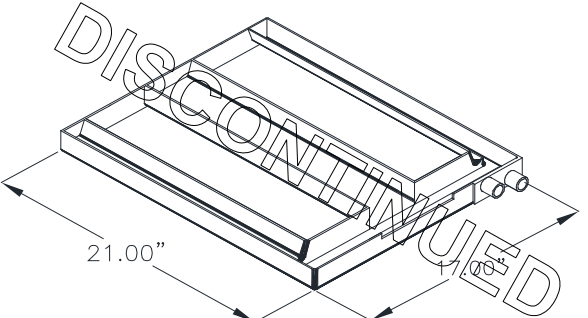
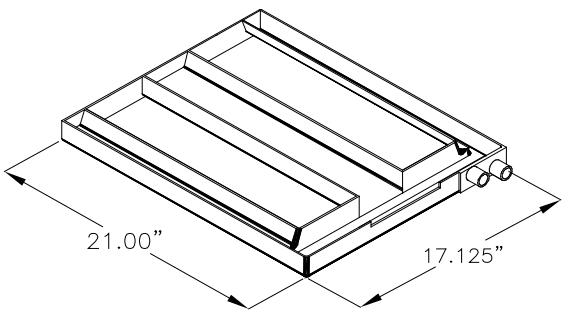
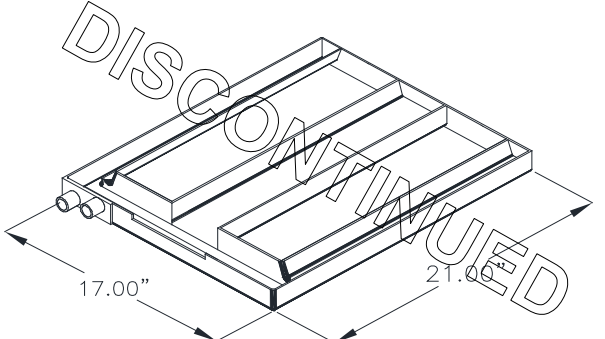
Part Number	Description	Figure
41012 or 41012P	<p align="center">"A" COIL VERTICAL DRAIN PAN LEFT HAND CASED</p> <p align="center">CABINET: 7/ 7H</p> <p align="center">NOTE: FOR DUAL PORTS (DP) SEE 41079</p>	
<p>NEW! 41039P</p>	<p align="center">"A" COIL VERTICAL DRAIN PAN LEFT HAND CASED</p> <p align="center">CABINET: 7D SIZE: 17" X 23"</p>	<p>NEW! 41040P</p> <p align="center">"A" COIL VERTICAL DRAIN PAN RIGHT HAND CASED</p> <p align="center">CABINET: 7D SIZE: 17" X 23"</p>
<p>NEW! 41033P</p> <p>NEW! 41035P 41041P</p>	<p align="center">"A" COIL VERTICAL DRAIN PAN LEFT HAND CASED SIZE: 20" X 21" CABINET: 8 EFFECTIVE: 1/2021 Replaces RP41018</p> <p>41035P LH CABINET: 8D (4 ROW) SIZE: 20" X 23"</p> <p>41041P LH CABINET: 8D (3 ROW)</p>	<p>NEW! 41034P</p> <p align="center">"A" COIL VERTICAL DRAIN PAN RIGHT HAND CASED SIZE: 20" X 21" CABINET: 8 EFFECTIVE: 1/2021 Replaces RP41017</p> <p>NEW! 41036P RH CABINET: 8D (4 ROW) SIZE: 20" X 23"</p> <p>41042P RH CABINET: 8D (3 ROW)</p>
41015 or 41015P	<p align="center">"A" COIL VERTICAL DRAIN PAN RIGHT HAND CASED</p> <p align="center">CABINET: 8/ 8H/ 8Y</p> <p align="center">NOTE: FOR DUAL PORTS (DP) SEE 41076</p>	

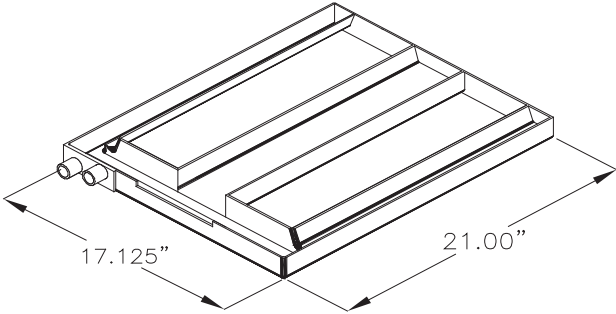
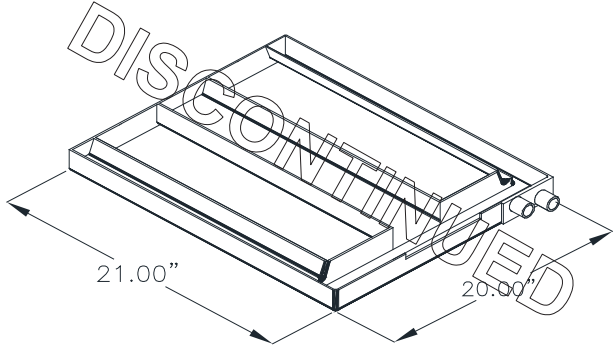
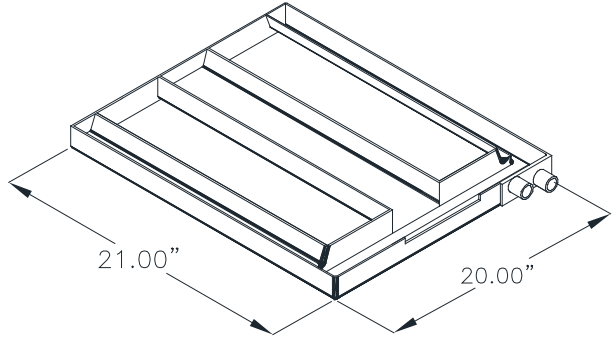
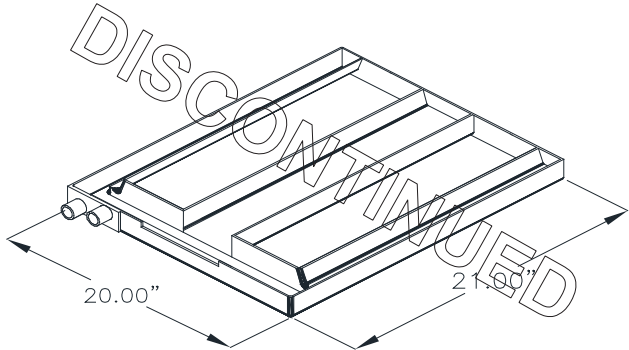
Part Number	Description	Figure
<p>41016 or 41016P</p>	<p>“A” COIL VERTICAL DRAIN PAN LEFT HAND CASED</p> <p>CABINET: 8/ 8H/ 8Y</p> <p>NOTE: FOR DUAL PORTS (DP) SEE 41076</p>	
<p>41017 or 41017P</p>	<p>“A” COIL VERTICAL DRAIN PAN RIGHT HAND CASED</p> <p>CABINET: 8G/ 8S</p> <p>RP41034P REPLACES RP41017</p> <p>NOTE: FOR DUAL PORTS (DP) SEE 41080</p>	<p>DISCONTINUED</p> 
<p>41018 or 41018</p>	<p>“A” COIL VERTICAL DRAIN PAN LEFT HAND CASED</p> <p>CABINET: 8G/ 8S</p> <p>RP41033P REPLACES RP41018</p> <p>NOTE: FOR DUAL PORTS (DP) SEE 41080</p>	<p>DISCONTINUED</p> 
<p>41023 or 41023P</p> <p>NEW! 41030P</p> <p>41044P</p>	<p>“A” COIL VERTICAL DRAIN PAN RIGHT HAND CASED CABINET: 8A/ 9/ 9G</p> <p>EFFECTIVE: 1/2021</p> <p>NEW 41030P – RH CABINET: 9 SIZE: 23” X 20”</p> <p>NEW 41044P – RH CABINET: 9D SIZE: 23” X 24”</p> <p>NOTE: FOR DUAL PORTS (DP) SEE 41077 FOR OLD CAB: 8A/9/9G</p>	

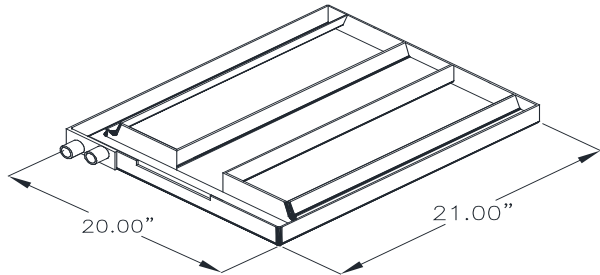
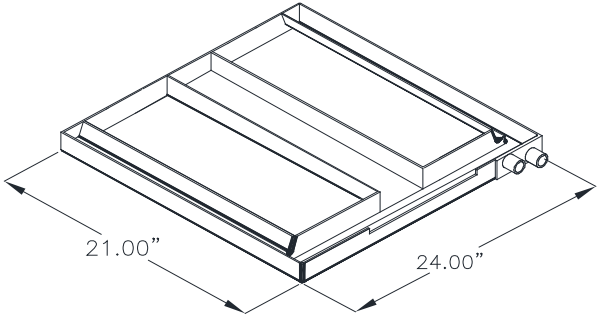
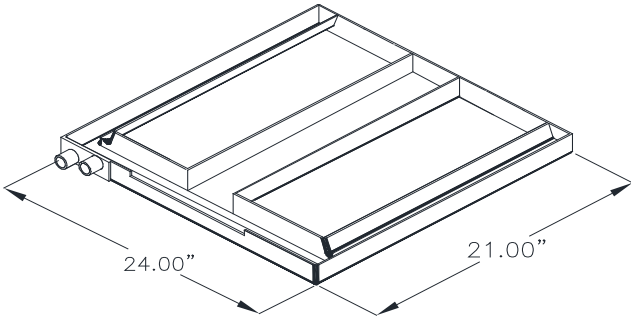
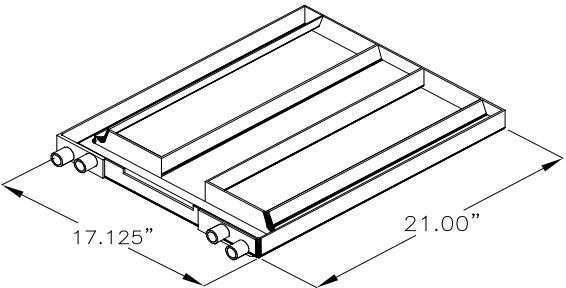
Part Number	Description	Figure
<p>41024 or 41024P</p> <p>NEW! 41029P</p> <p>41043P</p>	<p>“A” COIL VERTICAL DRAIN PAN LEFT HAND CASED CABINET: 8A/ 9/ 9G</p> <p>EFFECTIVE: 1/2021 NEW 41029P – LH CABINET: 9 SIZE: 23” X 20” NEW 41043P – LH CABINET: 9D SIZE: 23” X 24”</p> <p>NOTE: FOR DUAL PORTS (DP) SEE 41077 FOR OLD CAB: 8A/9/9G</p>	
<p>41074 or 41074P</p>	<p>“A” COIL VERTICAL DRAIN PAN LEFT/RIGHT HAND CASED DUAL PORTS (DP)</p> <p>CABINET: 5/5S/5G</p>	
<p>41075 or 41075P</p>	<p>“A” COIL VERTICAL DRAIN PAN LEFT/RIGHT HAND CASED DUAL PORTS (DP)</p> <p>CABINET: 6A/6R/6S/6G</p> <p>NEW CABINET: 7 EFFECTIVE: 1/2021</p>	

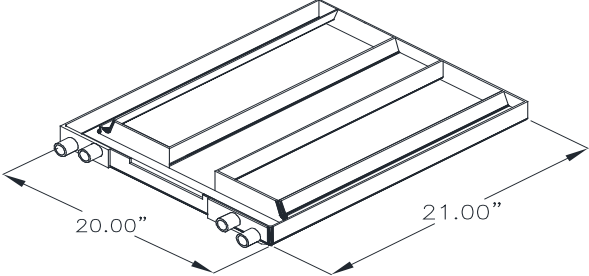
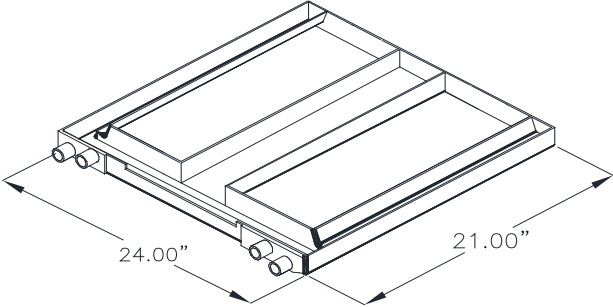
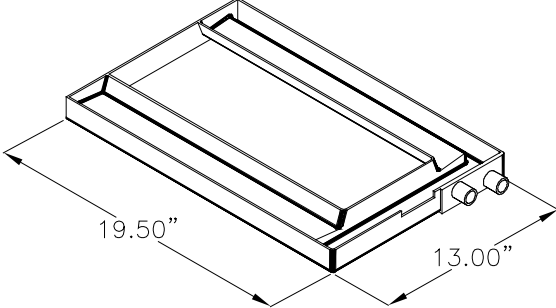
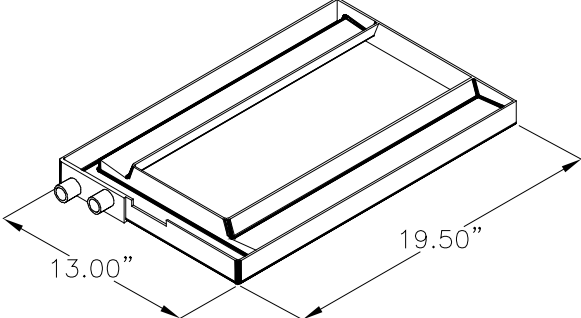
Part Number	Description	Figure
41076 or 41076P	<p style="text-align: center;"> “A” COIL VERTICAL DRAIN PAN LEFT/RIGHT HAND CASED DUAL PORTS (DP) CABINET: 8/8H/8Y </p>	
41077 or 41077P	<p style="text-align: center;"> “A” COIL VERTICAL DRAIN PAN LEFT/RIGHT HAND CASED DUAL PORTS (DP) CABINET: 8A/ 9/ 9G </p>	
41078 or 41078P	<p style="text-align: center;"> “A” COIL VERTICAL DRAIN PAN LEFT/RIGHT HAND CASED DUAL PORTS (DP) CABINET: 6/ 6H </p>	
41079 or 41079P	<p style="text-align: center;"> “A” COIL VERTICAL DRAIN PAN LEFT/RIGHT HAND CASED DUAL PORTS (DP) CABINET: 7/ 7H </p>	

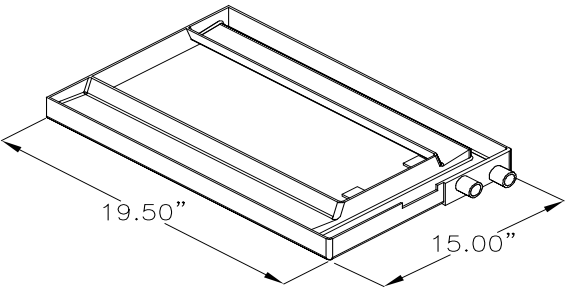
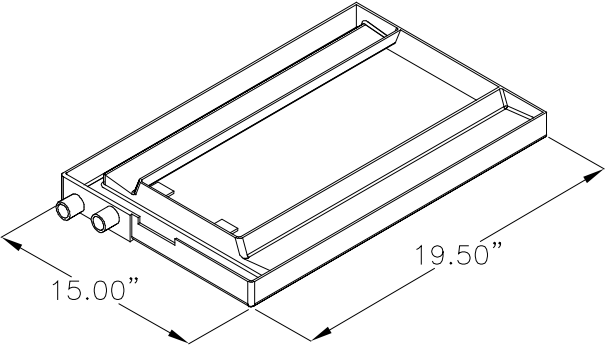
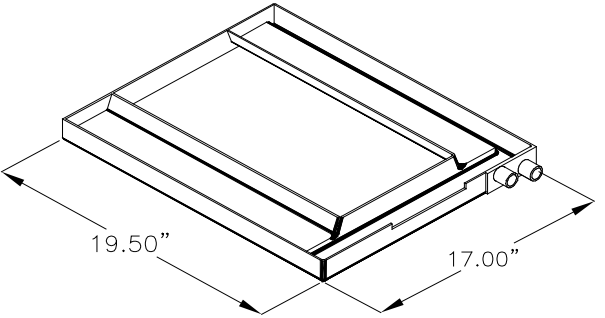
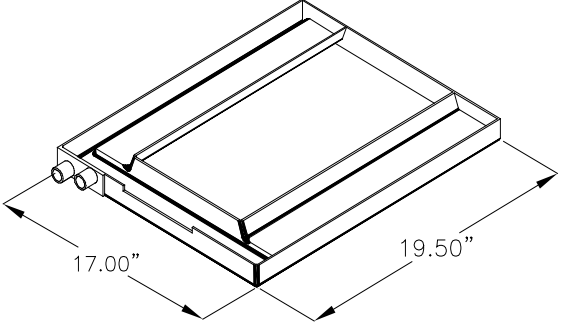
Part Number	Description	Figure
<p>41080 or 41080P</p> <p>812021</p>	<p>“A” COIL VERTICAL DRAIN PAN LEFT/RIGHT HAND CASED DUAL PORTS (DP)</p> <p>CABINET: 8G/ 8S</p> <p>NEW 41081P – CAB: 8 (4 ROW) AS or ASQN CAB: 8 20 x 21</p>	
<p>42001</p>	<p>“M” COIL VERTICAL DRAIN PAN RIGHT HAND 1-ROW</p> <p>CABINET: 5-M1</p>	
<p>42002</p>	<p>“M” COIL VERTICAL DRAIN PAN LEFT HAND 1-ROW</p> <p>CABINET: 5-M1</p>	
<p>42003</p>	<p>“M” COIL VERTICAL DRAIN PAN RIGHT HAND 1-ROW</p> <p>CABINET: 6/ 6H-M1</p>	

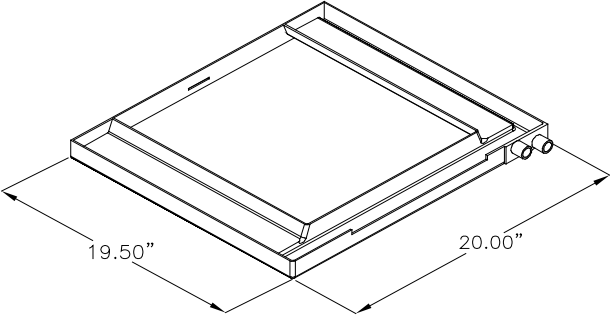
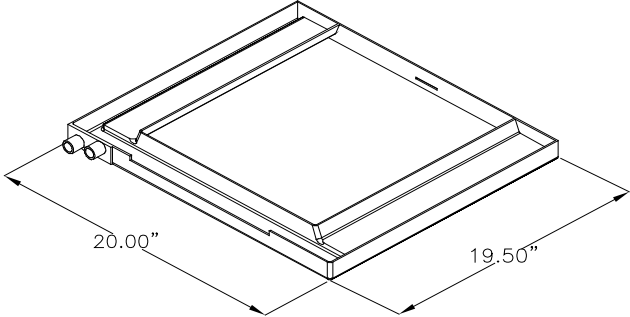
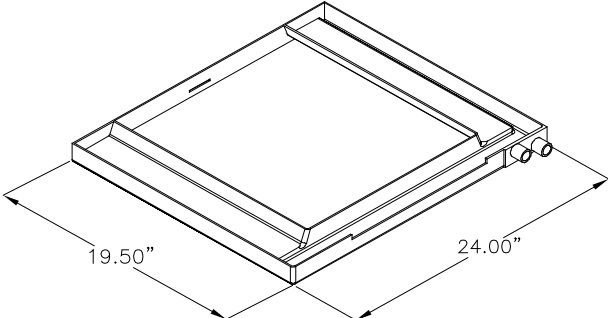
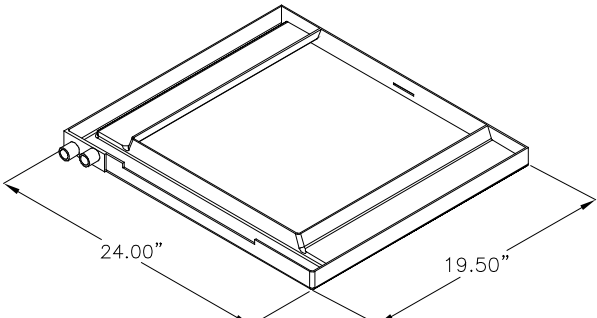
Part Number	Description	Figure
42004	<p align="center">"M" COIL VERTICAL DRAIN PAN LEFT HAND 1-ROW</p> <p align="center">CABINET: : 6/ 6H-M1</p>	
42005	<p align="center">"M" COIL VERTICAL DRAIN PAN RIGHT HAND 1-ROW</p> <p align="center">CABINET: 6A/ 6R /7 / 7H-M1</p>	
42006	<p align="center">"M" COIL VERTICAL DRAIN PAN RIGHT HAND CASED 2-ROW</p> <p align="center">CABINET: 6A/ 6R /7 / 7H-M2</p> <p align="center">NOTE: FOR DUAL PORTS (DP) SEE 42040</p>	
42007	<p align="center">"M" COIL VERTICAL DRAIN PAN LEFT HAND 1-ROW</p> <p align="center">CABINET: : 6A/ 6R/ 7/ 7H-M1</p>	

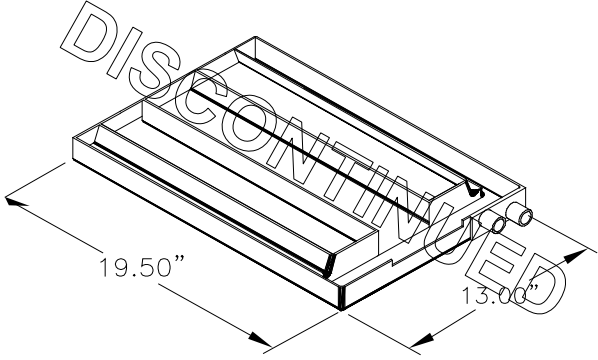
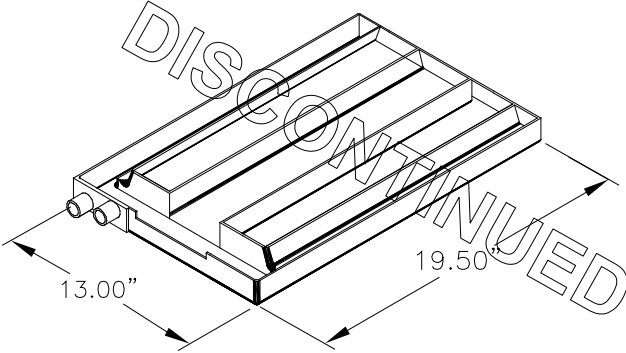
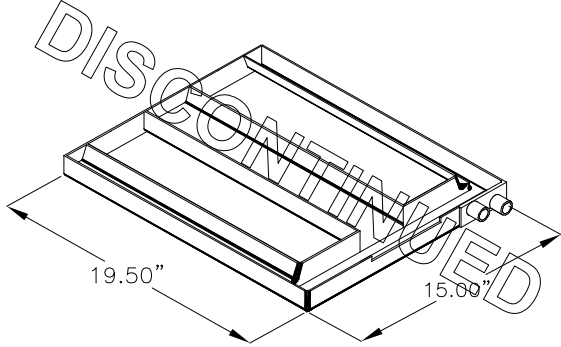
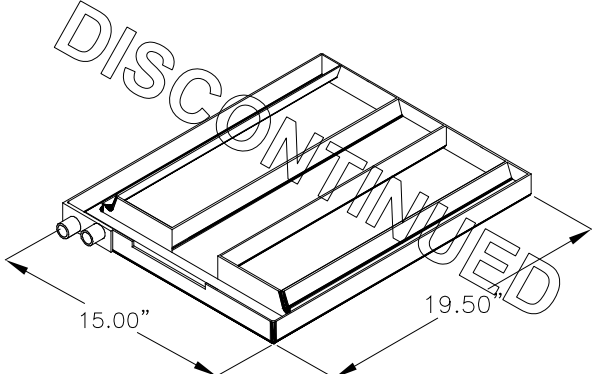
Part Number	Description	Figure
42008	<p align="center">"M" COIL VERTICAL DRAIN PAN LEFT HAND CASED 2-ROW</p> <p align="center">CABINET: 6A/ 6R/ 7/ 7H-M2</p> <p align="center">NOTE: FOR DUAL PORTS (DP) SEE 42040</p>	
42021	<p align="center">"M" COIL VERTICAL DRAIN PAN RIGHT HAND 1-ROW</p> <p align="center">CABINET: 8/ 8Y/ 8H-M1</p>	
42022	<p align="center">"M" COIL VERTICAL DRAIN PAN RIGHT HAND CASED 2-ROW</p> <p align="center">CABINET: 8/ 8Y/ 8H-M2</p> <p align="center">NOTE: FOR DUAL PORT (DP) SEE 42041</p>	
42023	<p align="center">"M" COIL VERTICAL DRAIN PAN LEFT HAND 1-ROW</p> <p align="center">CABINET: 8/ 8Y/ 8H-M1</p>	

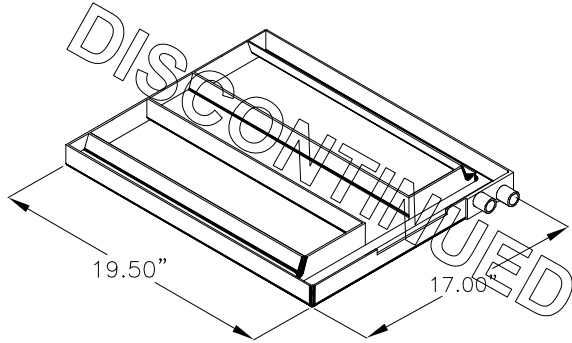
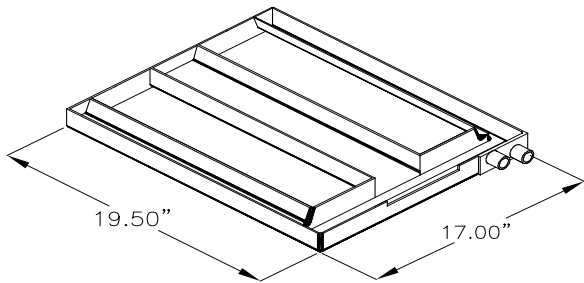
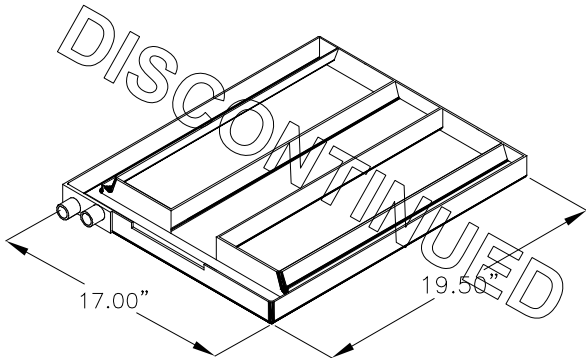
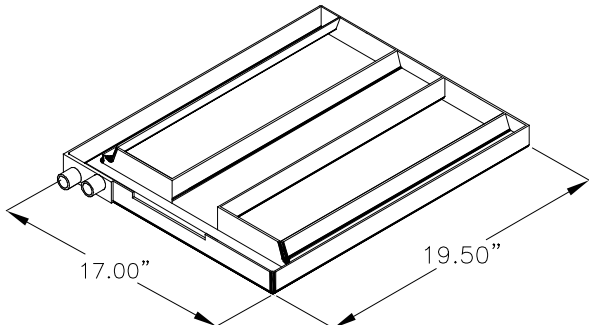
Part Number	Description	Figure
42024	<p align="center">"M" COIL VERTICAL DRAIN PAN LEFT HAND CASED</p> <p align="center">CABINET: 8/ 8Y/ 8H-M2</p> <p align="center">NOTE: FOR DUAL PORT (DP) SEE 42041</p>	
42033	<p align="center">"M" COIL VERTICAL DRAIN PAN RIGHT HAND CASED 2-ROW</p> <p align="center">CABINET: 8A/ 9-M2</p> <p align="center">NOTE: FOR DUAL PORT (DP) SEE 42042</p>	
42034	<p align="center">"M" COIL VERTICAL DRAIN PAN LEFT HAND CASED 2-ROW</p> <p align="center">CABINET: 8A/ 9-M2</p> <p align="center">NOTE: FOR DUAL PORT (DP) SEE 42042</p>	
42040	<p align="center">"M" COIL VERTICAL DRAIN PAN DUAL PORTS (DP)</p> <p align="center">CABINET: 6A/ 6R/ 6S/ 6G/ 7/ 7H</p>	

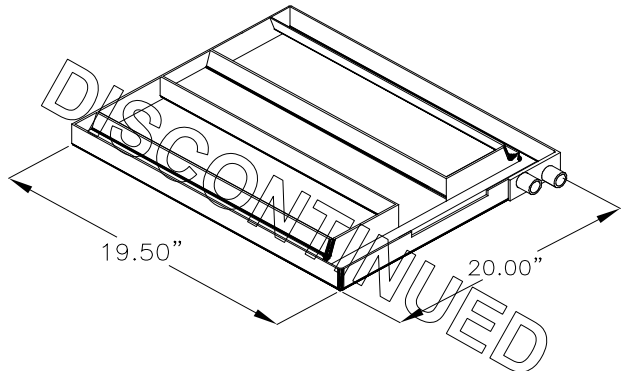
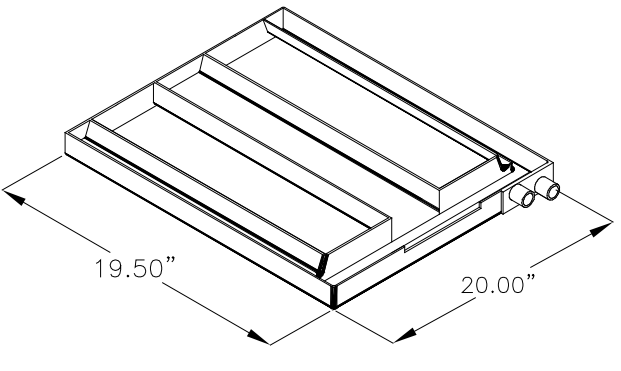
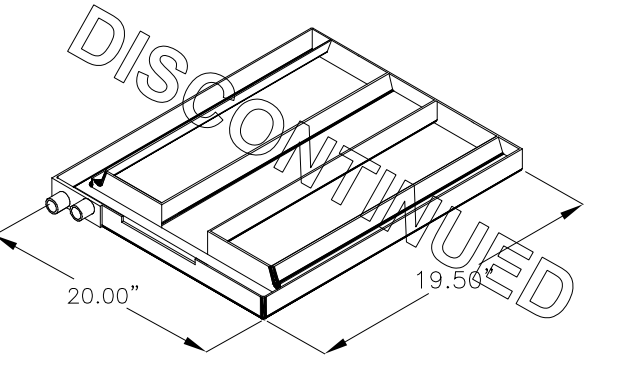
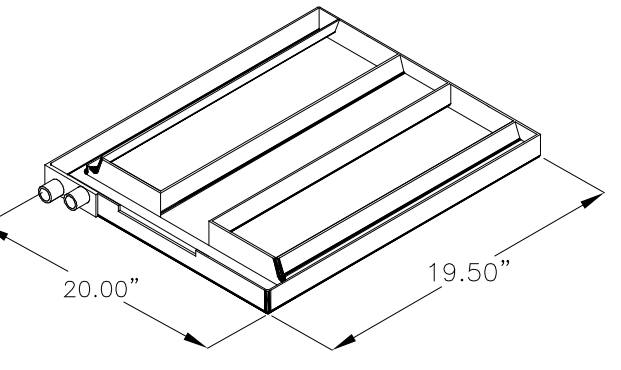
Part Number	Description	Figure
42041	<p align="center"> “M” COIL VERTICAL DRAIN PAN DUAL PORTS (DP) CABINET: 8/ 8Y/ 8H/ 8G </p>	
42042	<p align="center"> “M” COIL VERTICAL DRAIN PAN DUAL PORTS (DP) CABINET: 8A/ 9/ 9G </p>	
43001 or 43001P	<p align="center"> “A” COIL VERTICAL DRAIN PAN RIGHT HAND UNCASSED COIL WIDTH CODE: U5 </p>	
43002 or 43002P	<p align="center"> “A” COIL VERTICAL DRAIN PAN LEFT HAND UNCASSED COIL WIDTH CODE: U5 </p>	

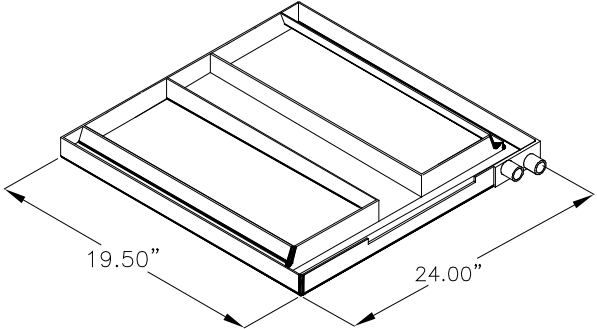
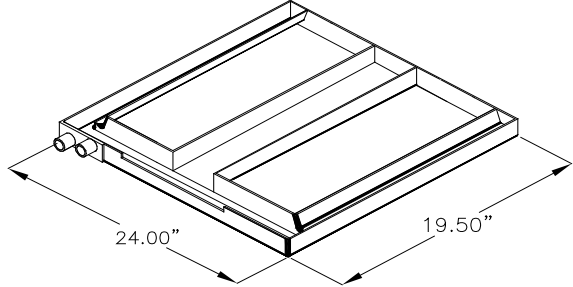
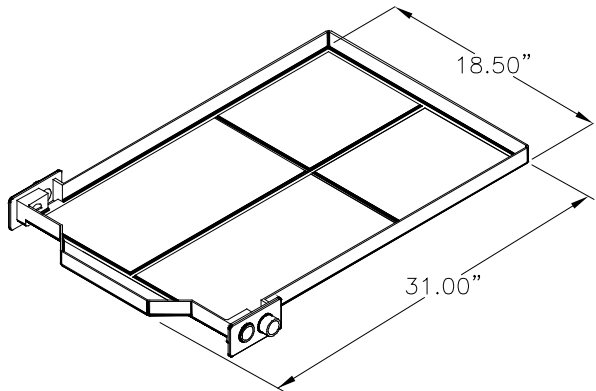
Part Number	Description	Figure
43003 or 43003P	<p align="center">"A" COIL VERTICAL DRAIN PAN RIGHT HAND UN-CASED</p> <p align="center">COIL WIDTH CODE: U6/ U6H</p>	
43004 or 43004P	<p align="center">"A" COIL VERTICAL DRAIN PAN LEFT HAND UN-CASED</p> <p align="center">COIL WIDTH CODE: U6/ U6H</p>	
43005 or 43005P	<p align="center">"A" COIL VERTICAL DRAIN PAN RIGHT HAND UN-CASED</p> <p align="center">COIL WIDTH CODE: U6A/ U6R/ U7/ U7H</p>	
43006 or 43006P	<p align="center">"A" COIL VERTICAL DRAIN PAN LEFT HAND UN-CASED</p> <p align="center">COIL WIDTH CODE: U6A/ U6R/ U7/ U7H</p>	

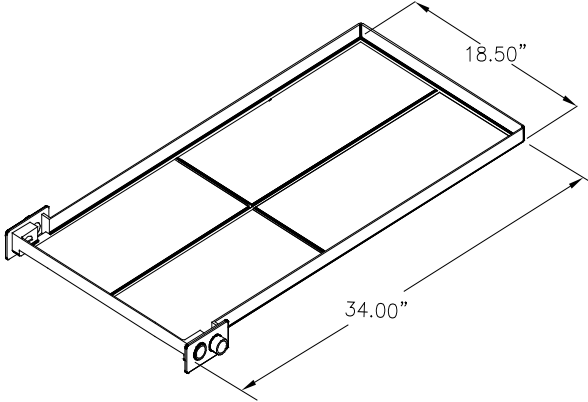
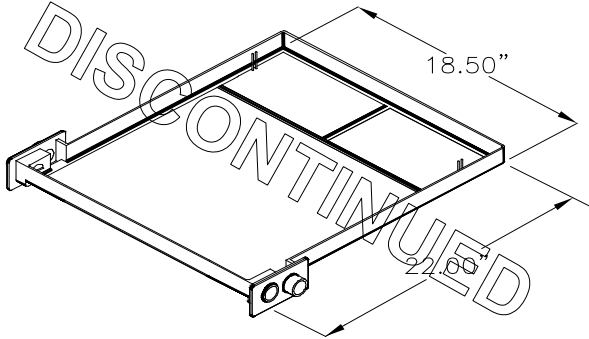
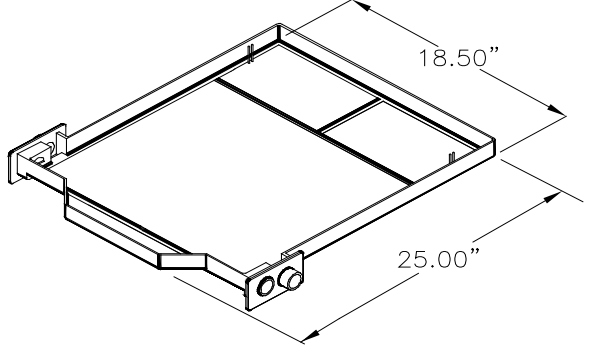
Part Number	Description	Figure
43015 or 43015P	<p style="text-align: center;">“A” COIL VERTICAL DRAIN PAN RIGHT HAND UN-CASED</p> <p style="text-align: center;">COIL WIDTH CODE: U8/ U8H/ U8Y</p>	
43016 or 43016P	<p style="text-align: center;">“A” COIL VERTICAL DRAIN PAN LEFT HAND UN-CASED</p> <p style="text-align: center;">COIL WIDTH CODE: U8/ U8H/ U8Y</p>	
43023 or 43023P	<p style="text-align: center;">“A” COIL VERTICAL DRAIN PAN RIGHT HAND UN-CASED</p> <p style="text-align: center;">COIL WIDTH CODE: U8A/ U9</p>	
43024 or 43024P	<p style="text-align: center;">“A” COIL VERTICAL DRAIN PAN LEFT HAND UN-CASED</p> <p style="text-align: center;">COIL WIDTH CODE: U8A/ U9</p>	

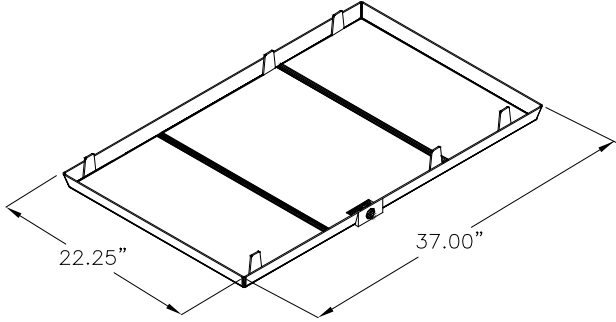
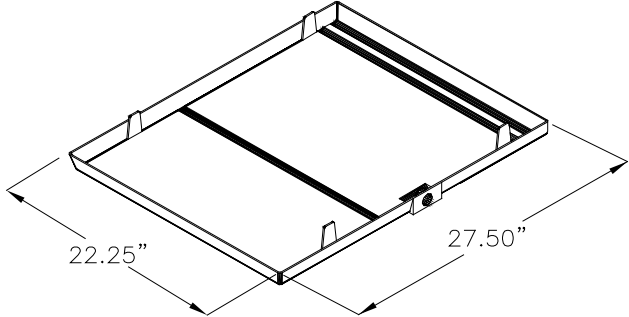
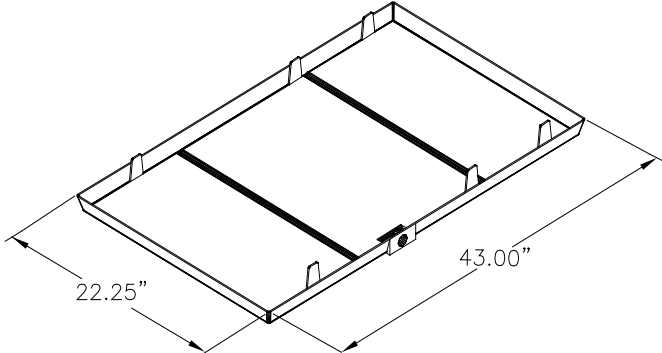
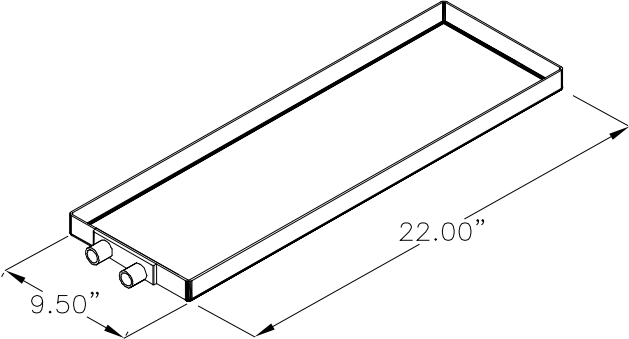
Part Number	Description	Figure
44001	<p align="center">"M" COIL VERTICAL DRAIN PAN RIGHT HAND UN-CASED 1-ROW</p> <p align="center">COIL WIDTH CODE: U5</p>	
44002	<p align="center">"M" COIL VERTICAL DRAIN PAN LEFT HAND UN-CASED 1-ROW</p> <p align="center">COIL WIDTH CODE: U5</p>	
44003	<p align="center">M" COIL VERTICAL DRAIN PAN RIGHT HAND UN-CASED 1-ROW</p> <p align="center">COIL WIDTH CODE: U6/ U6H</p>	
44004	<p align="center">M" COIL VERTICAL DRAIN PAN LEFT HAND UN-CASED 1-ROW</p> <p align="center">COIL WIDTH CODE: U6/ U6H</p>	

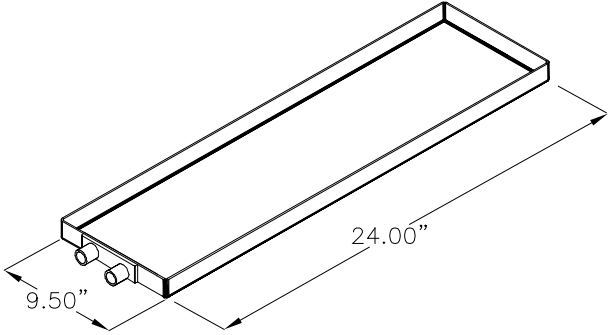
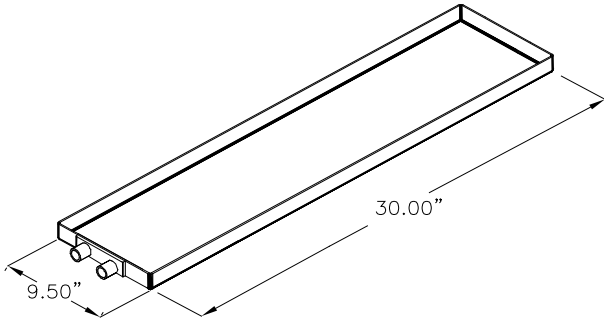
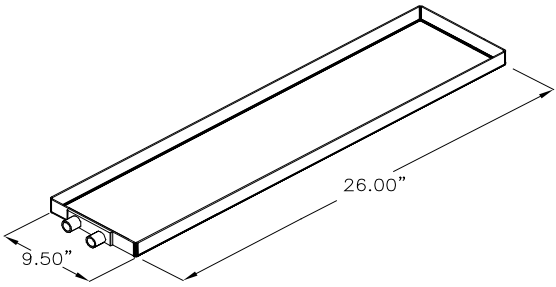
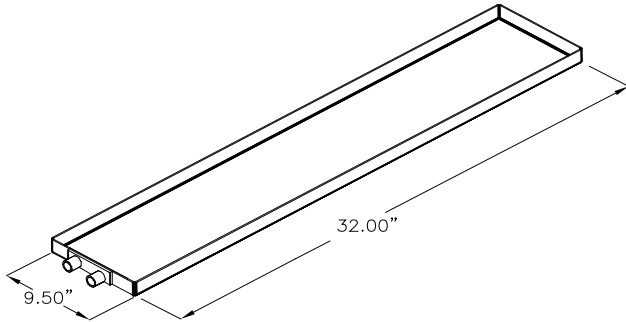
Part Number	Description	Figure
44005	<p align="center">M" COIL VERTICAL DRAIN PAN RIGHT HAND UN-CASED 1-ROW</p> <p align="center">COIL WIDTH CODE: U6A/ U6R/ U7/ U7H</p>	
44006	<p align="center">"M" COIL VERTICAL DRAIN PAN RIGHT HAND UN-CASED 2-ROW</p> <p align="center">COIL WIDTH CODE: U6A/ U6R/ U7/ U7H-M2</p>	
44007	<p align="center">"M" COIL VERTICAL DRAIN PAN LEFT HAND UN-CASED 1-ROW</p> <p align="center">COIL WIDTH CODE: U6A/ U6R/ U7/ U7H</p>	
44008	<p align="center">"M" COIL VERTICAL DRAIN PAN LEFT HAND UN-CASED 2-ROW</p> <p align="center">COIL WIDTH CODE: U6A/ U6R/ U7/ U7H-M2</p>	

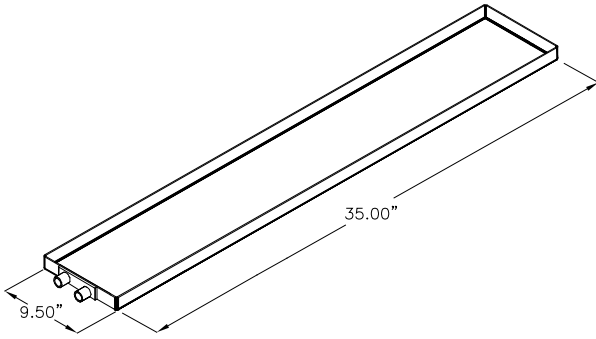
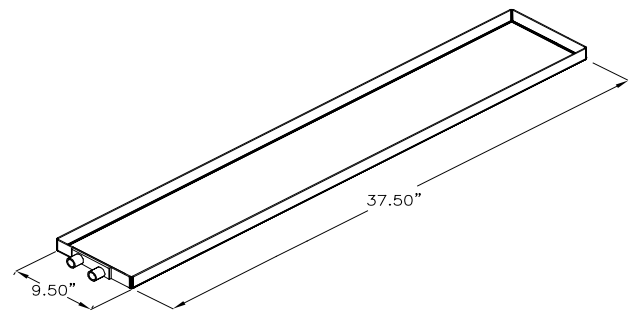
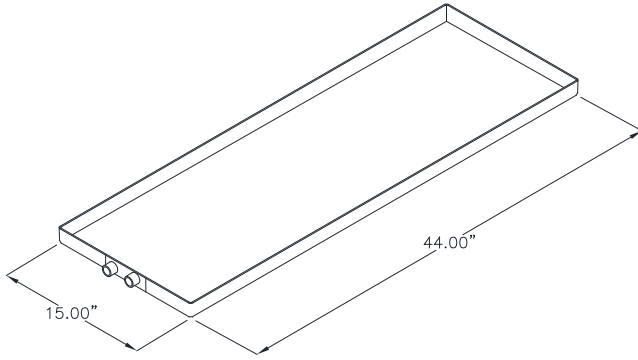
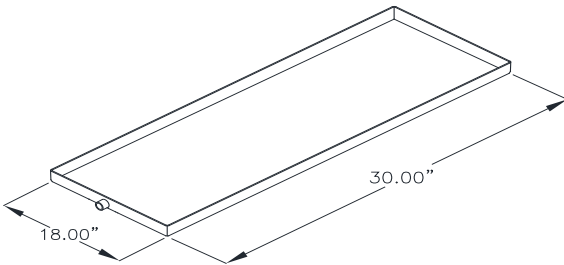
Part Number	Description	Figure
44021	<p style="text-align: center;">“M” COIL VERTICAL DRAIN PAN RIGHT HAND UN-CASED 1-ROW</p> <p style="text-align: center;">COIL WIDTH CODE: U8/ U8H/ U8Y</p>	
44022	<p style="text-align: center;">“M” COIL VERTICAL DRAIN PAN RIGHT HAND UN-CASED 2-ROW</p> <p style="text-align: center;">COIL WIDTH CODE: U8/ U8H/ U8Y-M2</p>	
44023	<p style="text-align: center;">“M” COIL VERTICAL DRAIN PAN LEFT HAND UN-CASED 1-ROW</p> <p style="text-align: center;">COIL WIDTH CODE: U8/ U8H/ U8Y</p>	
44024	<p style="text-align: center;">“M” COIL VERTICAL DRAIN PAN LEFT HAND UN-CASED 2-ROW</p> <p style="text-align: center;">COIL WIDTH CODE: U8/ U8H/ U8Y-M2</p>	

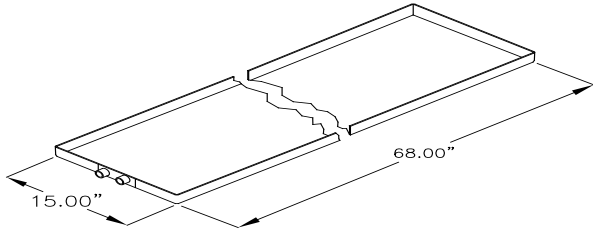
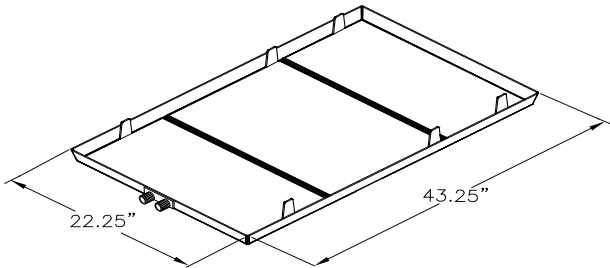
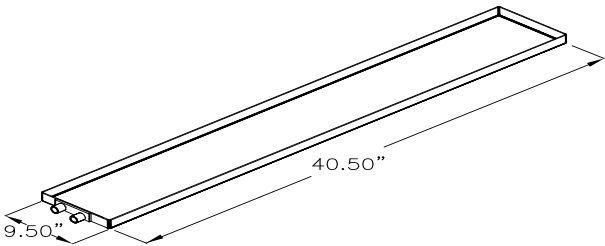
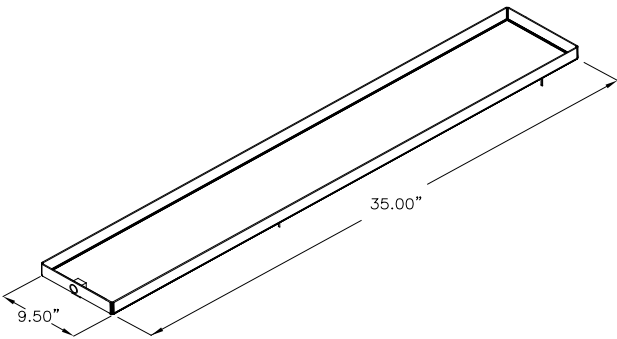
Part Number	Description	Figure
44034	<p align="center">"M" COIL VERTICAL DRAIN PAN RIGHT HAND UN-CASED 2-ROW</p> <p>COIL WIDTH CODE: U8A/ U9-M2</p>	
44036	<p align="center">"M" COIL VERTICAL DRAIN PAN LEFT HAND UN-CASED 2-ROW</p> <p>COIL WIDTH CODE : U8A/U9-M2</p>	
45001 or 45001P	<p align="center">PLENUM COIL PRIMARY DRAIN PAN</p> <p>CABINET: ASLB/ ASFM /ASKM FOR COIL SLAB: 22" TO 26" LONG</p> <p><i>Note: Used on all Old U-shape Plenum Coils</i></p> <p>Example: Plenum ASLB484023T</p>	

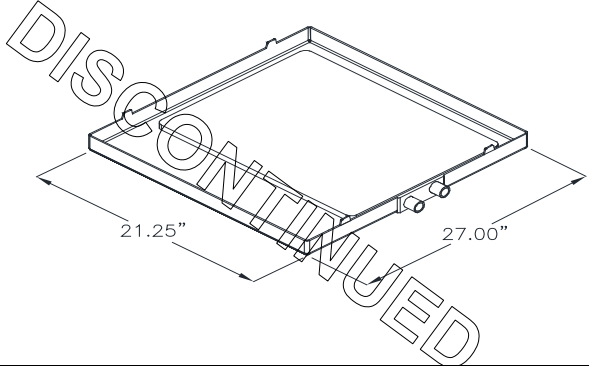
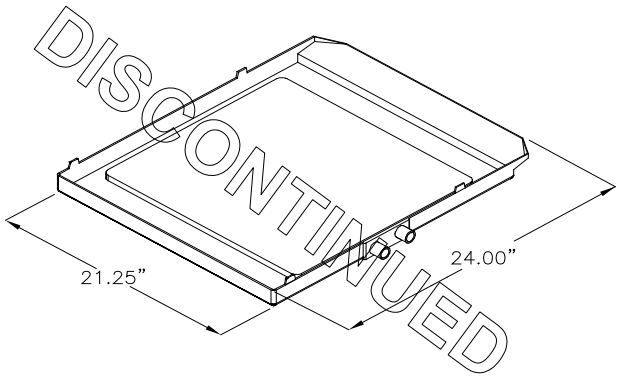
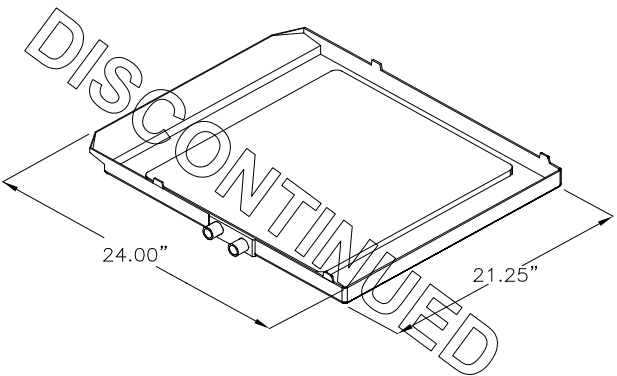
Part Number	Description	Figure
45003 or 45003P	<p style="text-align: center;">PLENUM COIL PRIMARY DRAIN PAN</p> <p>CABINET: ASLL, ASFL, ASKL</p> <p>FOR COIL SLAB: 26" TO 30" LONG</p>	
46001 or 46001P	<p style="text-align: center;">PLENUM COIL PRIMARY DRAIN PAN</p> <p>CABINET: LBDH/ FMDH/ ASLT/ ASFT/ ASKT/ ASFM/ ASLB</p> <p>FOR COIL SLAB: LESS THAN 22" LONG WITH 24" LONG CABINET</p> <p>NOTE: REPLACED BY 46001A IN 2005. NO PANS AVAILABLE</p>	
46001A or 46001AP	<p style="text-align: center;">PLENUM COIL PRIMARY DRAIN PAN</p> <p>CABINET: LBDH/ FMDH/ ASLT/ ASFT/ ASKT/ ASFM/ ASLB</p> <p>FOR COIL SLAB: LESS THAN 22" LONG WITH 26.5" LONG CABINET</p>	

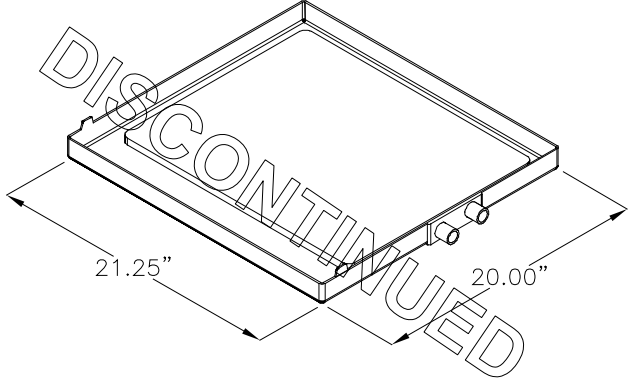
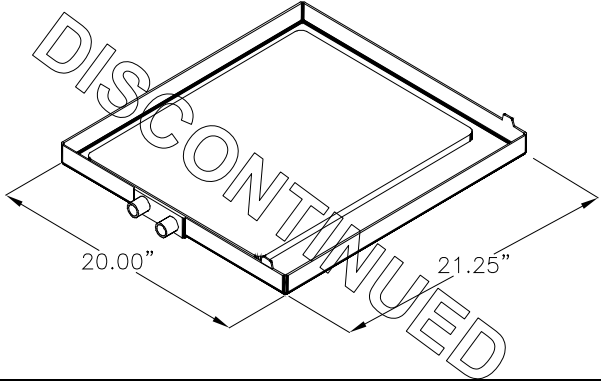
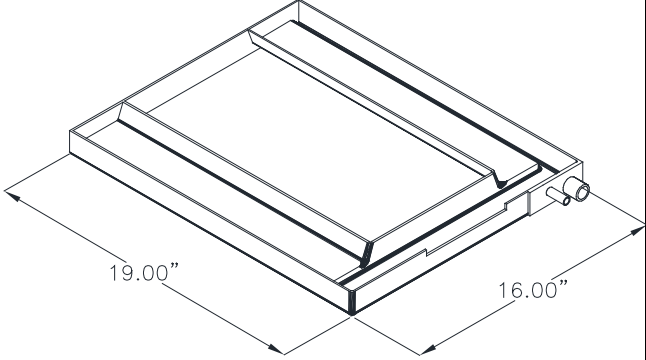
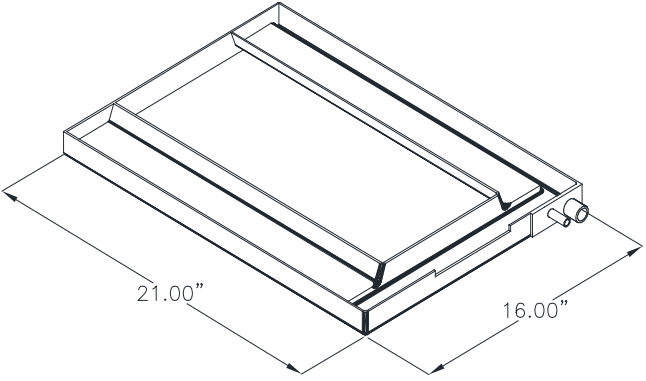
Part Number	Description	Figure
<p>46002 or 46002P</p>	<p>F MSP</p> <p>PLENUM COIL SAFETY (SECONDARY) DRAIN PAN</p> <p>CABINET: ASLB/ ASFM/ ASKM</p> <p>-----</p> <p><i>46002 used on AMCP Mobilehome Commerical Piggyback UNIT as Primary pan (48-60)</i></p>	
<p>46003 or 46003P</p>	<p>PLENUM COIL SAFETY (SECONDARY) DRAIN PAN</p> <p>CABINET: ASLT</p> <p>-----</p> <p><i>46003 used on AMCP Mobilehome Commerical Piggyback UNIT, Primary pan (24-36)</i></p>	
<p>46006 or 46006P</p>	<p>PLENUM COIL SAFETY (SECONDARY) DRAIN PAN</p> <p>CABINET: ASLL/ ASFL / ASKL</p>	
<p>47010 or 47010P</p>	<p>HORIZONTAL COIL DRAIN PAN</p> <p>CABINET: 5</p>	

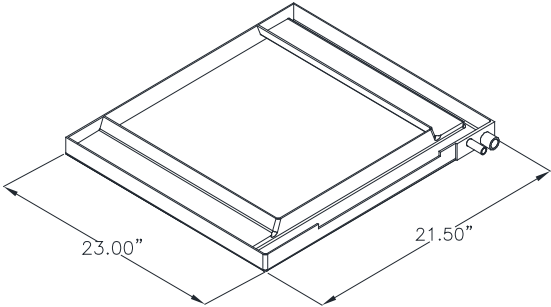
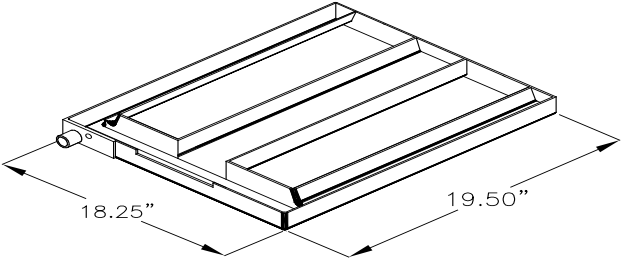
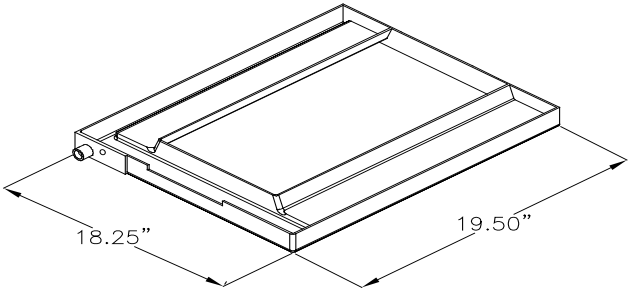
Part Number	Description	Figure
47011 or 47011P	<p>HORIZONTAL COIL DRAIN PAN (24-36) ACTH</p> <p>CABINET: 5B</p>	
47012 or 47012P	<p>HORIZONTAL COIL DRAIN PAN (24-36, ASHL)</p> <p>CABINET: 6</p>	
47013 or 47013P	<p>HORIZONTAL COIL DRAIN PAN (24-36, ASLBH)</p> <p>CABINET: 6A</p>	
47014 or 47014P	<p>HORIZONTAL COIL DRAIN PAN (48-60, ASHL, ACTH)</p> <p>CABINET: 6B</p>	

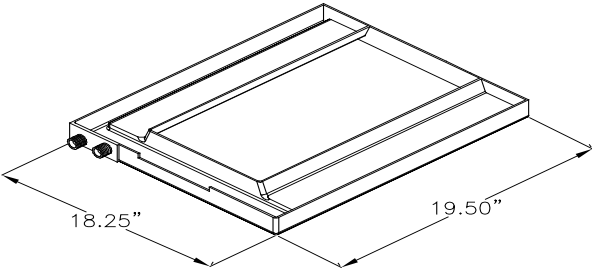
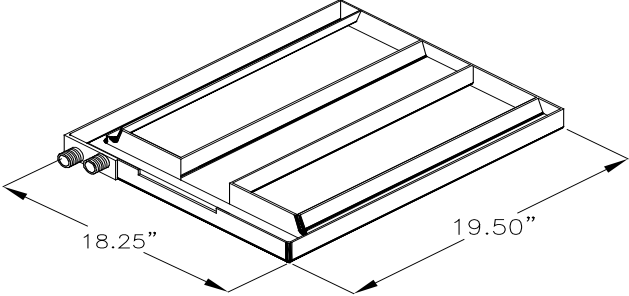
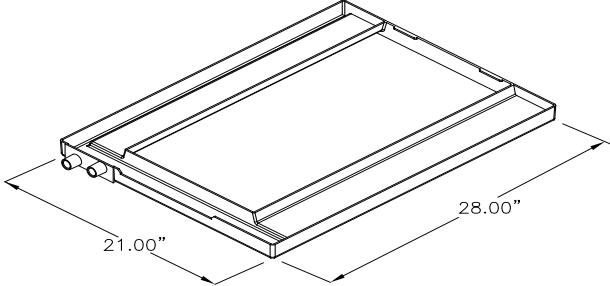
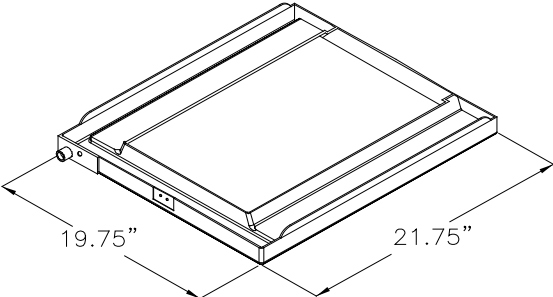
Part Number	Description	Figure
47015 or 47015P	<p>HORIZONTAL COIL DRAIN PAN (48-60, ASLBH)</p> <p>CABINET: 7</p>	
47016 or 47016P	<p>HORIZONTAL COIL DRAIN PAN</p> <p>CABINET: 7B</p>	
47019 or 47019P	<p>HORIZONTAL COIL DRAIN PAN (ASH72X, ASH96X, ASH120X) (ABH72X, ABH96X, ABH120X)</p> <p>CABINET: ASH COMMERCIAL</p>	
47020 or 47020P	<p>HORIZONTAL COIL DRAIN PAN (NO THREADS ON DRAIN)</p>	

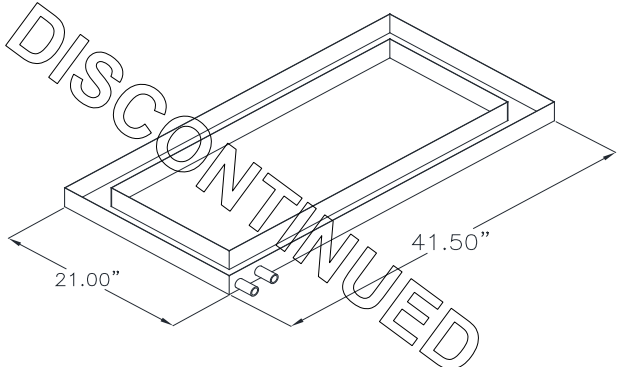
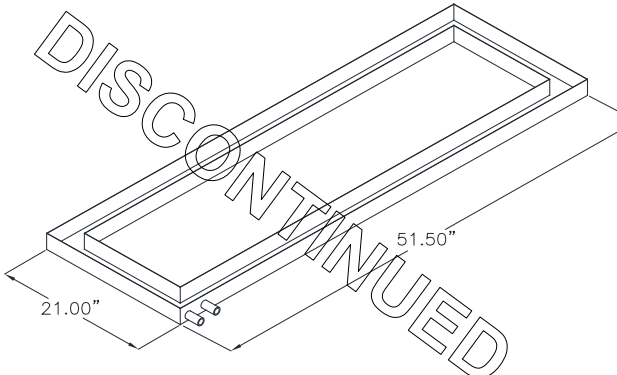
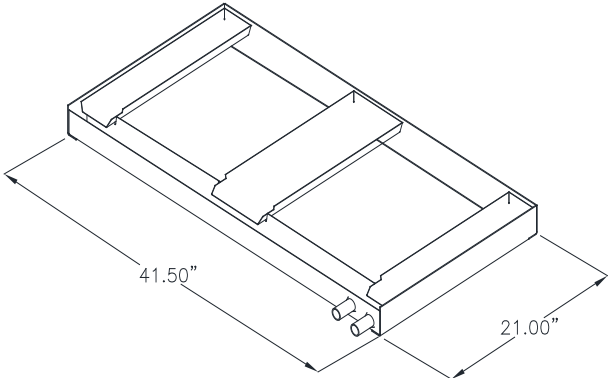
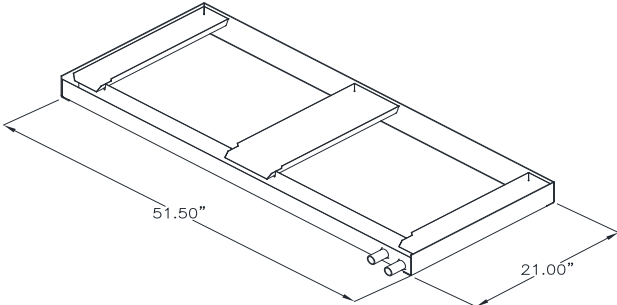
Part Number	Description	Figure
47021	<p style="text-align: center;">HORIZONTAL COIL DRAIN PAN (ASH180X, ASH244X) (ABH180X, ABH244X)</p> <p style="text-align: center;">(METAL)</p> <p>CABINET: ALL ASH COMMERCIAL</p>	
47023	<p style="text-align: center;">EVAPORATOR DRAIN PAN (BCRT 8TON & 10 TON)</p> <p style="text-align: center;">BCRT COMMERCIAL PIGGY BACK ROOFTOP UNIT</p>	
47024	<p style="text-align: center;">EVAPORATOR DRAIN PAN (BCRT 2-5 TONS)</p> <p style="text-align: center;">BCRT COMMERCIAL PIGGY BACK ROOFTOP UNIT</p>	
<p>47030 OR 47030P</p> <p>47031 or 47031P</p>	<p style="text-align: center;">HORIZONTAL COIL DRAIN PAN INTERNAL THREADS ON DRAIN SIZE: 9.50" X 32"</p> <p style="text-align: center;">HORIZONTAL COIL DRAIN PAN INTERNAL THREADS ON DRAIN</p>	

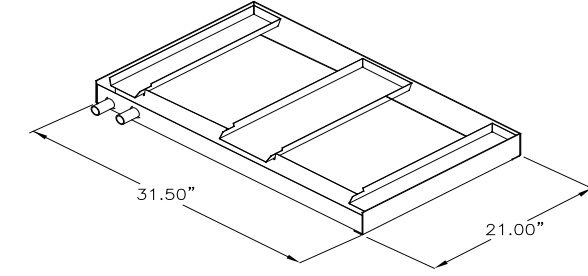
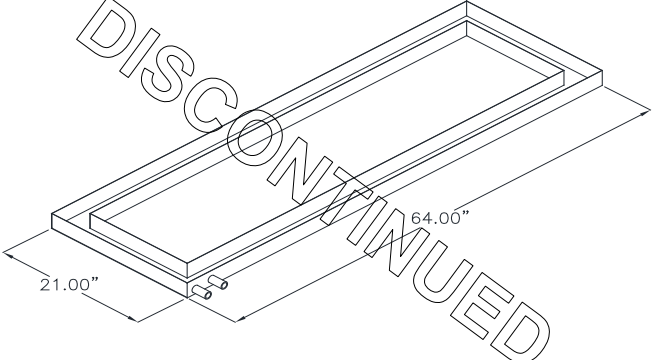
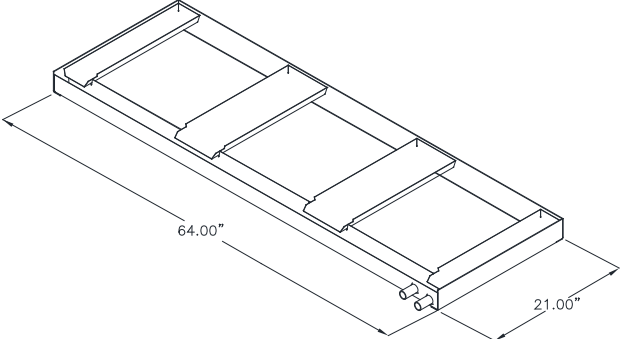
Part Number	Description	Figure
<p>49003 or 49003P</p>	<p>STYLEQUEST HORIZONTAL LEFT/ RIGHT HAND DRAIN PAN</p> <p>FOR COIL SLABS: 20", 22", 24" HIGH</p>	
<p>49004</p>	<p>STYLEQUEST HORIZONTAL RIGHT HAND DRAIN PAN</p> <p>(For Coils Built Before Feb2014) (Replaced by 15047 w/lower drains)</p> <p>FOR COIL SLABS: 16"-18" HIGH</p>	
<p>49005</p>	<p>STYLEQUEST HORIZONTAL LEFT HAND DRAIN PAN</p> <p>(For Coils Built Before Feb2014) (Replaced by 15048 w/ lower drains)</p> <p>FOR COIL SLABS: 16"-18" HIGH</p>	

Part Number	Description	Figure
<p>49010</p>	<p>(ASDH Dedicated Horz. Drain pan Not Available)</p> <p>STYLEQUEST HORIZONTAL RIGHT HAND DRAIN PAN</p> <p>(For Coils Built Before Feb2014) (Customer <u>must</u> have pan fabricated in the field)</p> <p>FOR COIL SLABS: 12"-14" HIGH</p>	
<p>49011</p>	<p>(ASDH Dedicated Horz. Drain pan Not Available)</p> <p>STYLEQUEST HORIZONTAL LEFT HAND DRAIN PAN</p> <p>(For Coils Built Before Feb2014) (Customer <u>must</u> have pan fabricated in the field)</p> <p>FOR COIL SLABS: 12"-14" HIGH</p>	
<p>51005 or 51005P</p>	<p>ASRSP COIL VERTICAL DRAIN PAN RHEEM/ RUUD REPLACEMENT COIL</p> <p>CABINET: ASRSP 24</p>	
<p>51006 or 51006P</p>	<p>ASRSP COIL VERTICAL DRAIN PAN RHEEM/ RUUD REPLACEMENT COIL</p> <p>CABINET: ASRSP 30-36</p>	

Part Number	Description	Figure
51007 or 51007P	<p><u>RHEEM/ RUUD</u></p> <p>ASRSP COIL VERTICAL DRAIN PAN REPLACEMENT COIL</p> <p>CABINET: ASRSP 48-60</p>	
54002	<p>ASUM "M" MOBILEHOME COIL</p> <p>VERTICAL DRAIN PAN 3/4" SPIGOT DRAIN CONNECTION</p> <p>(For 2 Row Coils)</p> <p>(Not used on ADFM Airhandler)</p>	
<p><u>NEW!</u> 54017</p>	<p>ANDF "A" MOBILEHOME COIL</p> <p>VERTICAL DRAIN PAN 3/4" SPIGOT DRAIN CONNECTION</p> <p>(18" X 21")</p> <p>EFFECTIVE: 6/2021</p>	<p>ADM A COIL AIR HANDLER</p> <p>19.50 X 21.75</p> <p><u>NEW!</u></p> <p>RP54016P</p>
54003 or 54003P	<p>ASUM, ANDF "A" MOBILEHOME COIL</p> <p>VERTICAL DRAIN PAN 3/4" SPIGOT DRAIN CONNECTION</p> <p>(ANDF Coils used with ADFM Mobile Home Airhandlers)</p> <p><u>EFFECTIVE USAGE OF THIS PAN ENDS MARCH 2017</u></p>	

Part Number	Description	Figure
54004 or 54004P	<p style="text-align: center;">ASUM "A" MOBILEHOME COIL VERTICAL DRAIN PAN DUAL 3/4" MPT DRAINs DRAIN CONNECTIONS</p>	
54005 OR 54005P	<p style="text-align: center;">ASUM "M" MOBILEHOME COIL VERTICAL DRAIN PAN DUAL 3/4" MPT DRAINs CONNECTION (For 2 Row Coils)</p>	
54009P	<p style="text-align: center;">ARCP "A" ROOFTOP COMMERCIAL PIGGYBACK VERTICAL DRAIN PAN 3/4" MPT DRAIN CONNECTIONS</p>	
54016P	<p style="text-align: center;">ANDF "A" MOBILEHOME COIL VERTICAL DRAIN PAN 3/4" SPIGOT DRAIN CONNECTION</p> <p style="text-align: center; color: red;">EFFECTIVE USAGE OF THIS PAN STARTS APRIL 2017</p>	

Part Number	Description	Figure
55001	<p style="text-align: center;">ASU72X/ASU96X COMMERCIAL VERTICAL DRAIN PAN (METAL)</p>	
55002	<p style="text-align: center;">ASU120X COMMERCIAL VERTICAL DRAIN PAN (METAL)</p>	
55003	<p style="text-align: center;">ASM72X, ABM72, ASM96X, ABM96, ASM90X, ASM102X COMMERCIAL VERTICAL DRAIN PAN (METAL)</p>	
55004	<p style="text-align: center;">ASM120X, ASM 112X, ASM146X ABM120 COMMERCIAL VERTICAL DRAIN PAN (METAL)</p>	

Part Number	Description	Figure
55006	<p>ASM92Y, ASM110Y, ASM122Y COMMERCIAL VERTICAL DRAIN PAN (METAL)</p>	
55007	<p>ASU180Y, 224Y COMMERCIAL VERTICAL DRAIN PAN (METAL)</p>	
55008	<p>ASM244X ASM180X, ASM240X, AST180X ABM180X, ABM244 COMMERCIAL VERTICAL DRAIN PAN (METAL)</p>	



AllStyle Coil Company, L.P.
7037 Brittmoore Rd.
Houston, TX 77041

Since the manufacturer has a policy of continuous product and product data improvement, it reserves the right to change design and specification without notice.

DOCUMENT No.: LP40007

REV. LTR.	DESCRIPTION OF CHANGE	ECA#
-	Initial Release	130819
A	Added 15042 and 15043 drain pans 9/19/2013	
B	Added, 41073,74,75,76,77,78,79,80,15044 drain pans 10/14/13	
C	Added 15045,46,47,48,49 drain pans 1/6/2014	
D	Added 47030 and 47031 Horizontal drain pans 1/7/14	
E	Added 45003 Plenum drain pan 3/31/14	
F	Revised Description on 15040/41 was BLAN "A" COIL DRAIN PAN. Discontinued 15007	AC/RL
G	17.125 was 17.00 on 42006, 42008, 42040. Added dual 3/4" MPT to 54004	RL
H	Added 54001, 54002, 15017F, and deleted 15028F 6-25-14	RL
K	Added 1.00" to the length on drain pans 47010, 11, 12, & 14 which were changed 3 years ago. Changed depth on drain pans to 21.00" where applicable. 7/23/2014	RL
L	Added 15050,15021 (Metal pan), and 15026 drain pans. Revised 15003 and 15004. 7/28/14	RL
M	Added 15011 BL Drain pan 9-3-2014	RL
N	Added 15028F, 15029F, and 15030F drain pan for all HFC, HFD, etc.	RL
P	Corrected drain pan description and pictures as follows: 49010 changed to right hand and 49011 changed to left hand. 10-21-14	RL
R	Added 15021 new longer pan and 15022 new longer pan. No number change 1/30/15	RL
R1	Added 15051 new drain pan for VLL's and revised 15004 by eliminating one shark fin. Drain pans 19.5" deep were 19.25" Correction to drawing. 6/19/15	RL
R2	Added 6S and 6G to 42040 7/21/15	RL
R4	Added drain pan 15033 9/2015	RL
R5	Added new unit usage as follows: VLF (front return for 16.5" coil width) to 15004 and 15050 and added VLB (Bottom return for 18" coil width) to 15051 10-15-15	RL
R6	Added "P" suffix to all drain pans that have been converted from polycarbonate High temp plastic to polypropylene (lower temp plastic) conversion started effective 4-2016	RL
R7	Added and adjusted costs for drain pans where applicable. 7-11-2016	RL
R8	Added new ARCP Allstyle Rooftop commercial Piggyback drain pan 54005 & 54005p 7/29/16	RL
R9	Added new drain pans for BLDS split airhandler rp15052,15053,15054 10-24-16	RL
R10	Added metal drain pan 55006 for ASM92Y,110Y,122Y	RL
R11	Added metal drain pan 47021 15"Wx68"L for ASH180X,ASH244X, ABH180X, ABH244X 12/1/16	RL
R12	54001 pan was discontinued. 54005 pan changed to 18.25x19.5 dual d rain was 21x28. Added new number 54009P to pan 21x28 used on ARCP	RL
R13	Added new ANDF mobilehome coil drain pan 540016P 3/8/17	RL
R14	Added new BCRT Broadair Commercial Rooftop Drain pans rp47023, rp47024 4-30-18	RL

FIGURE No.	DRAWING No.	FIGURE No.	DRAWING No.
41001	DPA001A	54001	DPM039
41002	DPA002A	54002	DPM038
41003	DPA003	54003	DPAM001
41004	DPA004	54004	DPAM002
41005	DPA005	54016P	DPAM004
41006	DPA006	49010	DPH001
41013A	DPA073	49011	DPH002
41014A	DPA074	47010	DPH003A

41015	DPA007
41016	DPA008
41017	DPA075
41018	DPA076
41023	DPA009
41024	DPA010
41074	DPA065A
41075	DPA067
41076	DPA070
41077	DPA071
41078	DPA066
41079	DPA068
41080	DPA069
43001	DPA011A
43002	DPA012A
43003	DPA013A
43004	DPA014
41011	DPA015
41012	DPA016
43005	DPA018A
43006	DPA019
43015	DPA020
43016	DPA021
43023	DPA022
43024	DPA023
15001	DPA052
15002	DPA060
15003	DPA026A
15004	DPA027A
15004	DPA027B
15005	DPA028 (METAL)
15006	DPA029
15007	DPA030
15012	DPA035
15013	DPA036
15016	DPA039 (METAL)
15017	DPA040
15028F	DPA082
15018	DPA041
15029F	DPA041F
15019	DPA042
15030F	DPA042F
15021	DPA044
15021 LONGER PAN	DPA044B
15026	DPA044A (METAL)
15022	DPA045
15022 LONGER PAN	DPA045A
15028F	DPA049F
15036	DPA047
15037	DPA048
15038	DPA050
15039	DPA051
15040	DPA061
15041	DPA062
15042	DPA063
15043	DPA064
15044	DPA072
54003	DPAM001
15045	DPA077

47011	DPH004A
47012	DPH005A
47013	DPH006
47014	DPH007
47015	DPH008
47016	DPH009
47023	DPP007
47024	DPP008
49003	DPH014
49004	DPH010
49005	DPH011
15008	DPH012
15009	DPH013
47019	DPH015
47021	DPH019
47030	DPH016
47031	DPH017
15010	DPA033
42001	DPM013
42002	DPM020
42003	DPM021
42004	DPM022
42005	DPM023
42006	DPM001
42007	DPM024
42008	DPM002
42021	DPM033
42022	DPM003
42023	DPM034
42024	DPM004
42033	DPM005
42034	DPM006
42040	DPM035
42041	DPM036
42042	DPM037
44001	DPM025
44002	DPM026
44003	DPM027
44004	DPM028
44005	DPM029
44006	DPM007
44007	DPM030
44008	DPM008
44022	DPM009
44023	DPM014
44024	DPM010
44034	DPM011
44036	DPM012
45001	DPP001
45003	DPP006
46001	DPP005
46002	DPP002
46003	DPP003
46006	DPP004
51005	DPR001
51006	DPR002
51007	DPR003
55001	DPA054 (METAL)
55002	DPA055 (METAL)

