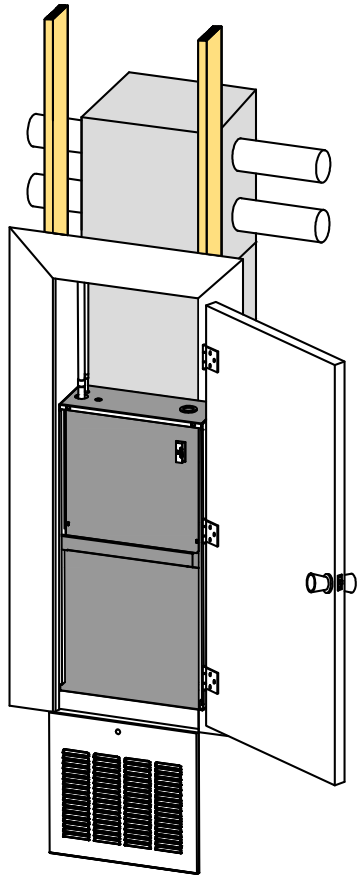


VL* Applications



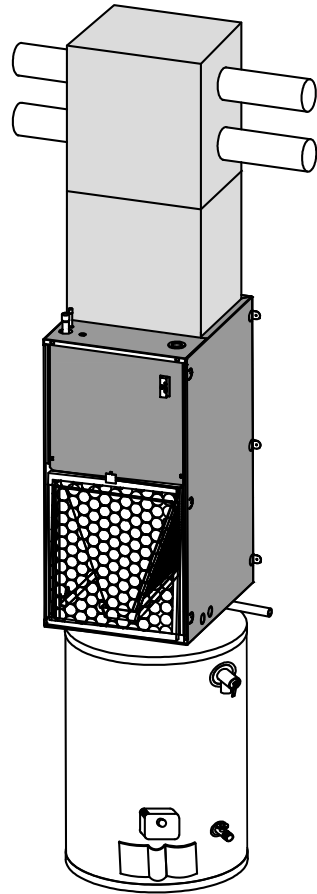
VL* Air Handler Installed in Closet

To install the VL* unit into the closet, remove bottom duct board and install a solid bottom door panel. Then install a filter grille below.

VL* Bottom Door Panel

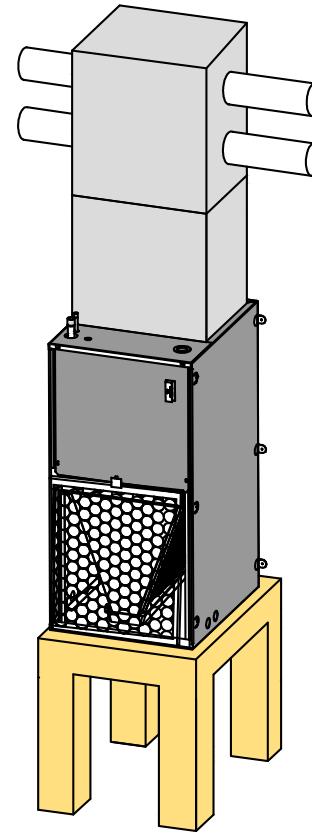
Part #

- VL* - LCP - 1AS
- VLD* - LCP - 2AS

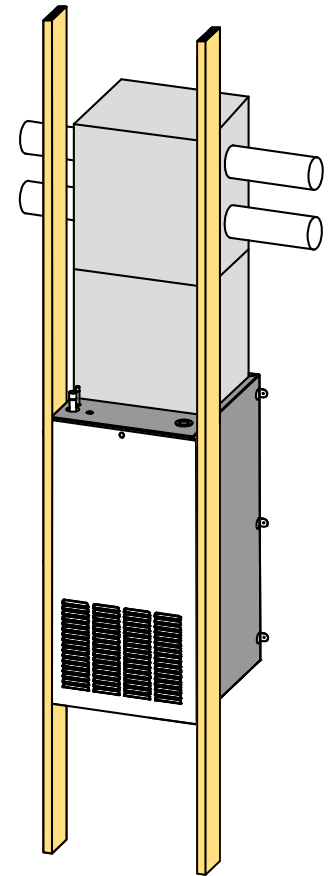


VL* Air Handler Installed Above a Water Heater

To install the VL* unit above a hot water heater, take solid panel off and install filter in front of the unit.



VL* Air Handler Attached to Back Wall
OR
Mounted on a Platform in Utility Room



VL* Air Handler Installed in a Stud / Wall Mount Application

Filter Panel Available in Various Sizes